

## Excellent Integrated System Limited

Stocking Distributor

Click to view price, real time Inventory, Delivery & Lifecycle Information:

[Harting](#)  
[09200009918](#)

For any questions, you can email us directly:  
[sales@integrated-circuit.com](mailto:sales@integrated-circuit.com)

Alle Rechte vorbehalten/ All rights reserved

5

4

3

2

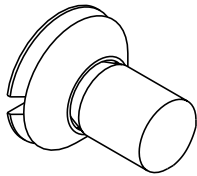
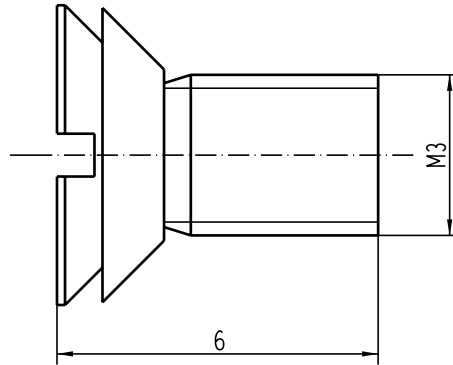
1

D




C

B

A



Schraubenmaterial: nichtrostender Stahl  
 screw material: stainless steel

|                                                                                                                                  |          |      |                                                     |          |      |                                                                                       |                                                                                                    |                                                                                                       |
|----------------------------------------------------------------------------------------------------------------------------------|----------|------|-----------------------------------------------------|----------|------|---------------------------------------------------------------------------------------|----------------------------------------------------------------------------------------------------|-------------------------------------------------------------------------------------------------------|
|  All Dimensions in mm<br>Original Size DIN A 4 |          |      | Techn. Character.                                   |          |      | Nicht lotierte Masse / free size tolerances                                           |                                                                                                    |                                                                                                       |
|                                                                                                                                  |          |      |                                                     | Dat.     | Name | Massstab/Scale<br><br><b>10:1</b>                                                     | <b>Senkschraube M3x6</b><br>mit Dichtring, für Han A /<br><i>sunk screw M3x6 with sealing ring</i> |                                                                                                       |
|                                                                                                                                  |          |      | Detail.                                             | 10.11.00 | Gö   |                                                                                       |                                                                                                    |                                                                                                       |
|                                                                                                                                  |          |      | Insp.                                               |          | HERB |                                                                                       |                                                                                                    |                                                                                                       |
|                                                                                                                                  |          |      | Stand.                                              |          |      |                                                                                       |                                                                                                    |                                                                                                       |
| 410649                                                                                                                           | 07.08.03 | ML   | HARTING Electric GmbH & Co. KG<br>D-32339 Espelkamp |          |      |  | <b>TB 09 20 000 9918</b>                                                                           |                                                                                                       |
| 28815                                                                                                                            |          |      |                                                     |          |      |                                                                                       | Sub.                                                                                               | Blatt / page<br> |
| Mod.                                                                                                                             | Dat.     | Name |                                                     |          |      |                                                                                       |                                                                                                    |                                                                                                       |