

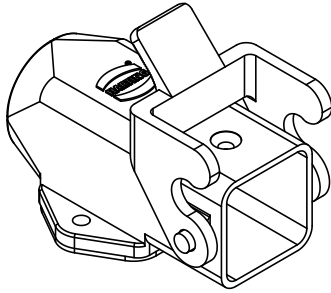
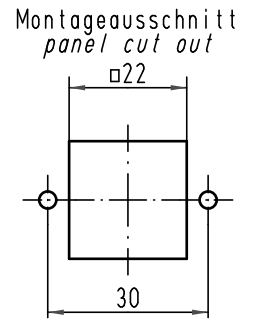
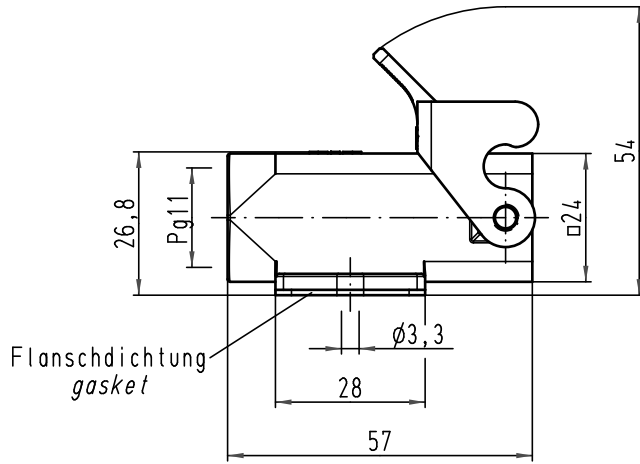
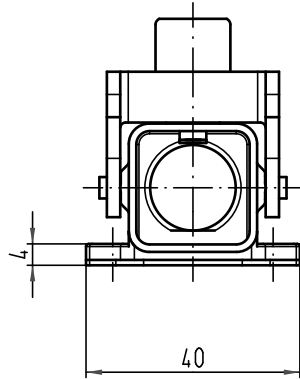
## Excellent Integrated System Limited



Stocking Distributor

Click to view price, real time Inventory, Delivery & Lifecycle Information:

[Harting](#)  
[09200030220](#)

For any questions, you can email us directly:  
[sales@integrated-circuit.com](mailto:sales@integrated-circuit.com)



 All Dimensions in mm Original Size DIN A 4			Techn. Character.			Nicht tolerierte Maß/Free size tolerances			
Mod.	Dat.	Name	Detail.	Dat.	Name	Maßstab/Scale <b>1:1</b>	<b>Han 3A-asg-Pg11</b> Sockelgehäuse-Kunststoff-grau <i>housing surface mounting-plastic-grey</i>		
			Insp.	08.10.10	Spr				
			Stand.		Be				
A			HARTING Electric GmbH & Co. KG						
			D-32339 Espelkamp				<b>TB 09 20 003 0220</b>	Blatt/ page	
							Sub. TB 09 20 003 0220 v. 01.04.99		