

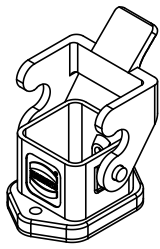
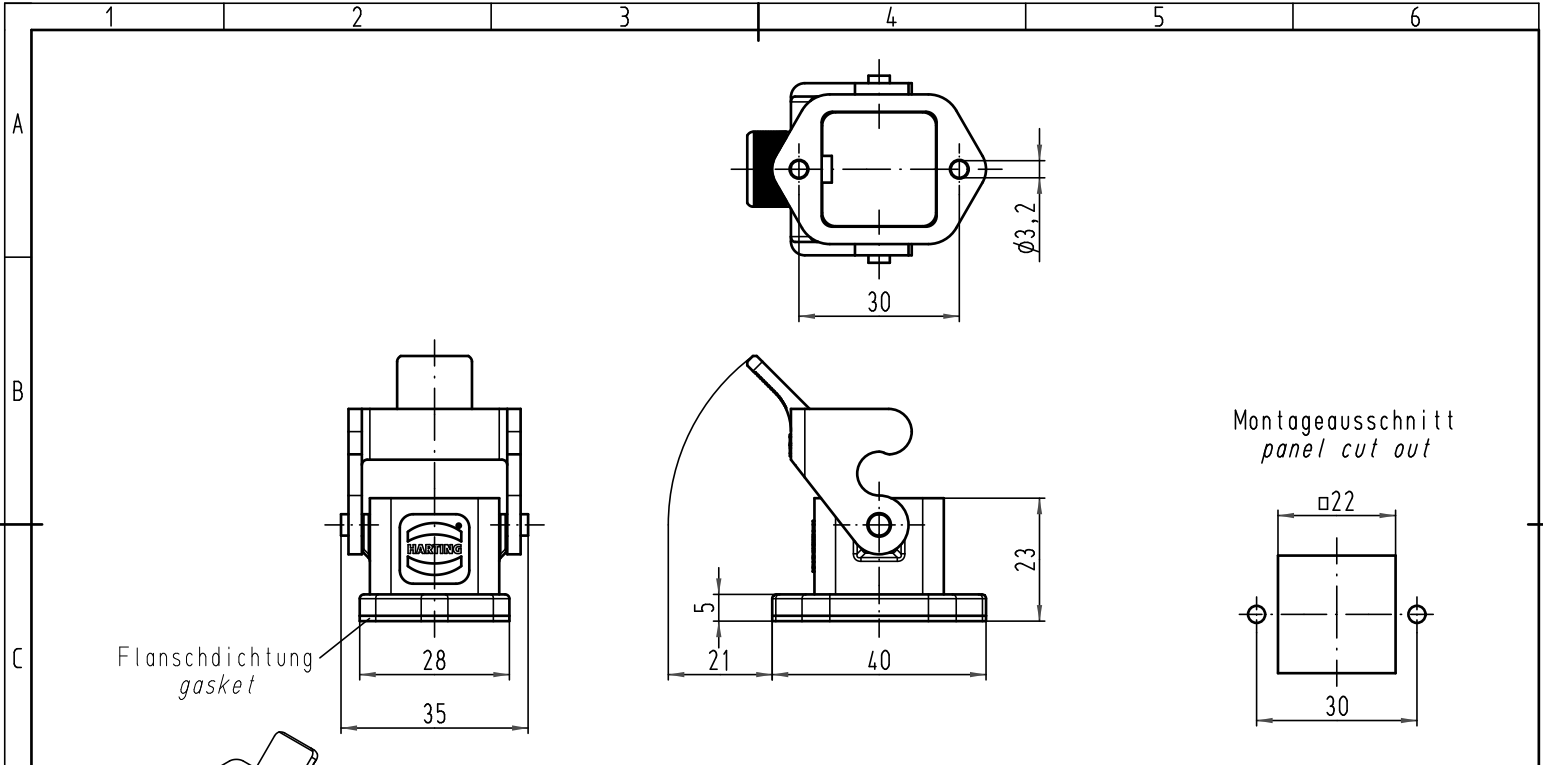
Excellent Integrated System Limited


Stocking Distributor

Click to view price, real time Inventory, Delivery & Lifecycle Information:

[Harting](#)
[09200030320](#)

For any questions, you can email us directly:
sales@integrated-circuit.com



All Dimensions in mm Original Size DIN A 4			Techn. Character.			Nicht tolerierte Maß/Free size tolerances	
						1:1	Han 3A-agg Anbaugehäuse-Kunststoff-grau housing bulkhead mounting-plastic-grey
			Detail.	09.02.09	ML		
			Insp.		Sch		
			Stand.				
B	29.09.10	Spr	HARTING Electric GmbH & Co. KG			TB 09 20 003 0320	Blatt/ page /
A			D-32339 Espelkamp				
Mod.	Dat.	Name				Sub.	TB 09 20 003 0320 v. 21.01.99