

Excellent Integrated System Limited

Stocking Distributor

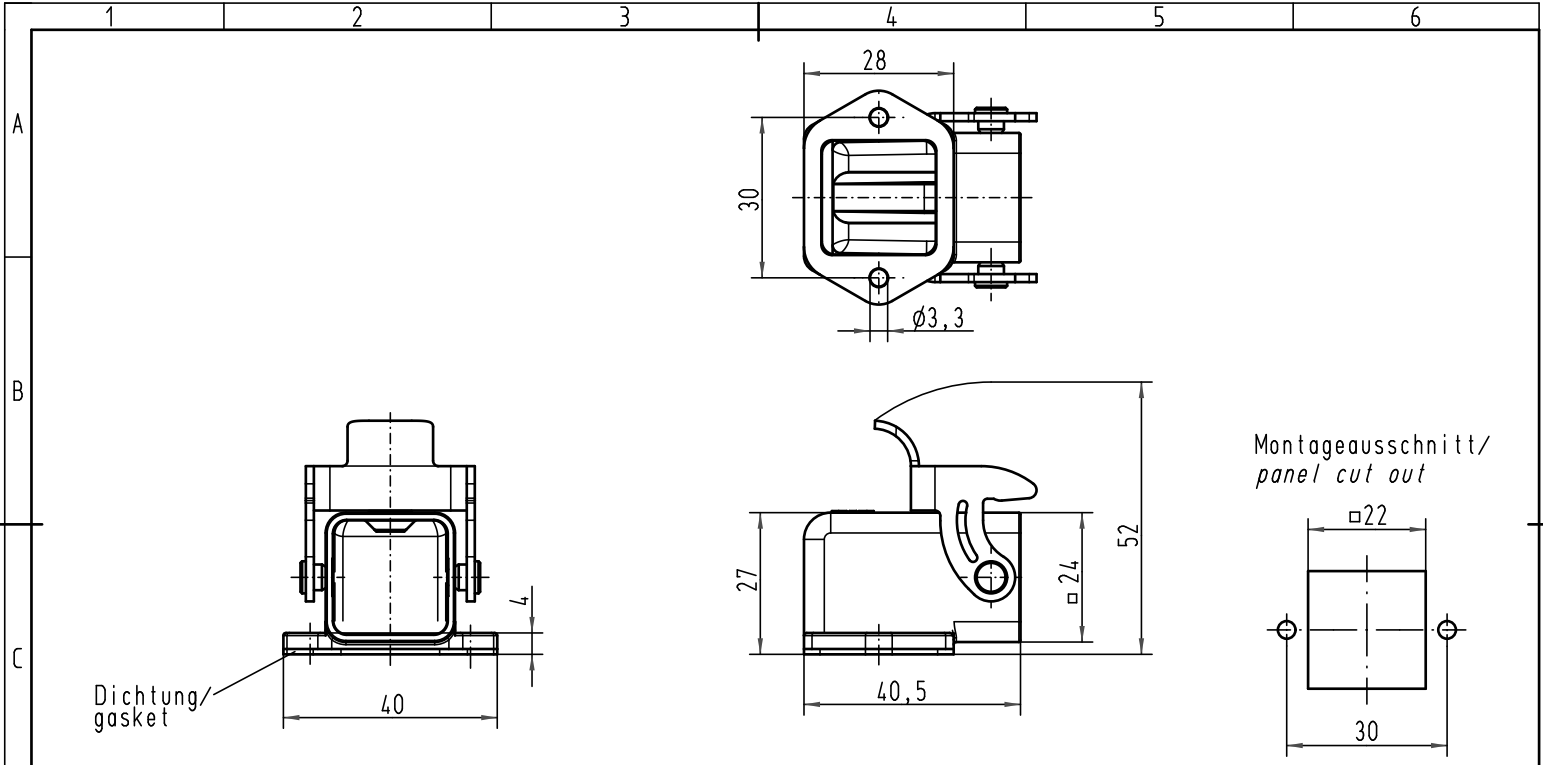
Click to view price, real time Inventory, Delivery & Lifecycle Information:

[Harting](#)

[09200030801](#)

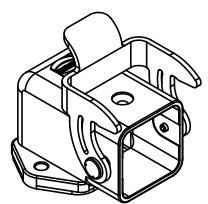
For any questions, you can email us directly:

sales@integrated-circuit.com



Montageausschnitt/
panel cut out

Dichtung/
gasket



			Techn. Character.			Nicht tolerierte Maß/Free size tolerances		
			Detail.	09.02.09	ML	Maßstab/Scale 1:1	Han 3A-agw Anbaugeschäse-Metall-grau housing bulkhead mounting-metal-grey	
			Insp.		Sch			
			Stand.					
A			HARTING Electric GmbH & Co. KG D-32339 Espelkamp				TB 09 20 003 0801	
Mod.	Dat.	Name					Sub. f. TB 09 20 003 0801 v. 03.02.93	
							Blatt/page	