

Excellent Integrated System Limited

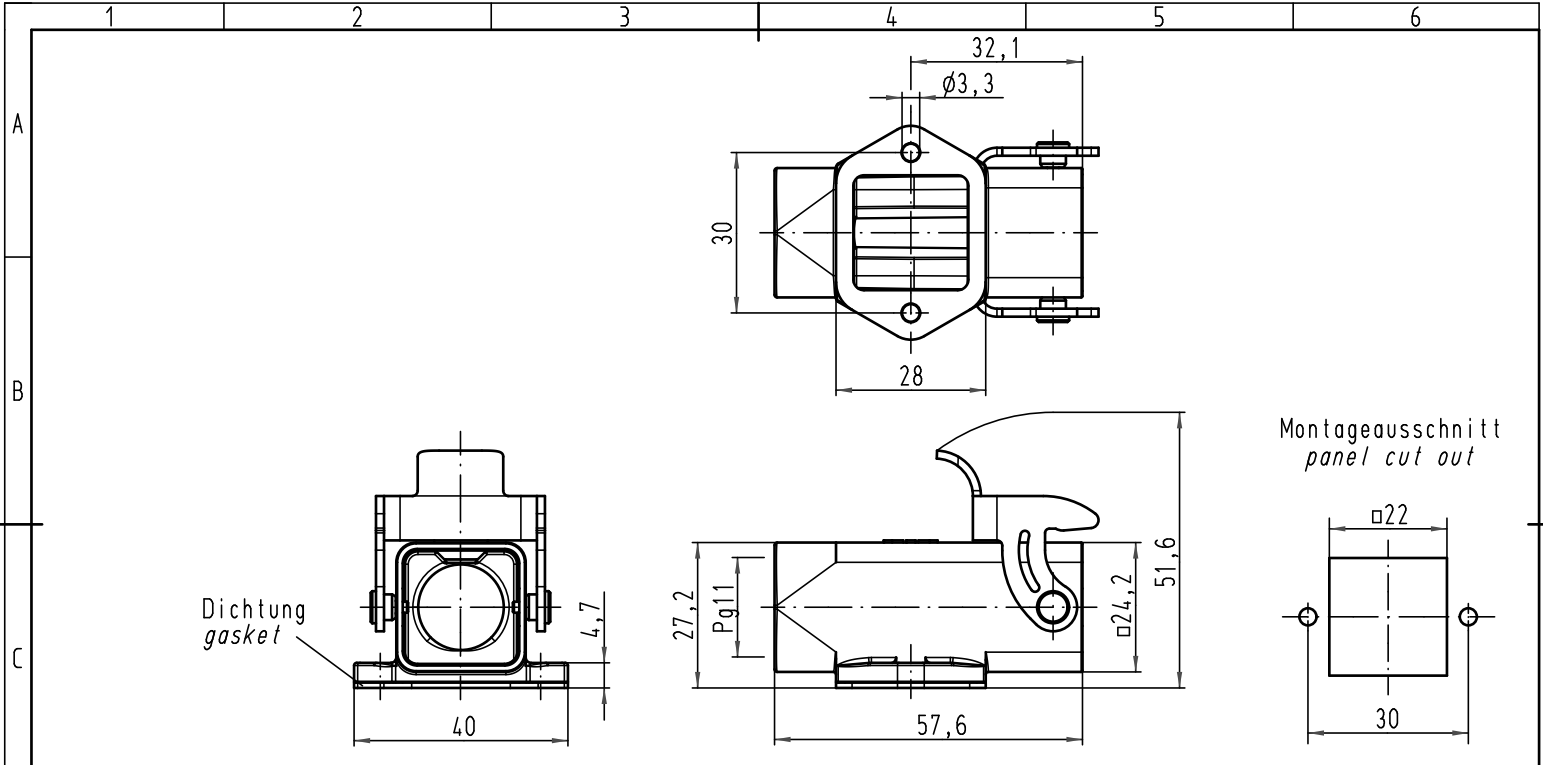
Stocking Distributor

Click to view price, real time Inventory, Delivery & Lifecycle Information:

[Harting](#)
[09200031250](#)

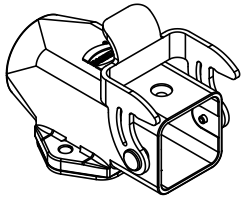
For any questions, you can email us directly:
sales@integrated-circuit.com

Alle Rechte vorbehalten/ All rights reserved



Montageausschnitt
panel cut out

Dichtung
gasket



All Dimensions in mm Original Size DIN A 4			Techn. Character.			Nicht tolerierte Maß/Free size tolerances	
						1:1	Han 3A-ASGW-QB-PG11 Sockelgehäuse-Metall-grau <i>housing surface mounting-metal-grey</i>
			Detail.	10.06.10	Ho		
			Insp.		Grie		
			Stand.				
A			HARTING Electric GmbH & Co. KG			TB 09 20 003 1250 Sub. TB 09 20 003 1250 v. 04.02.93	Blatt/ page
Mod.	Dat.	Name	D-32339 Espelkamp				

