

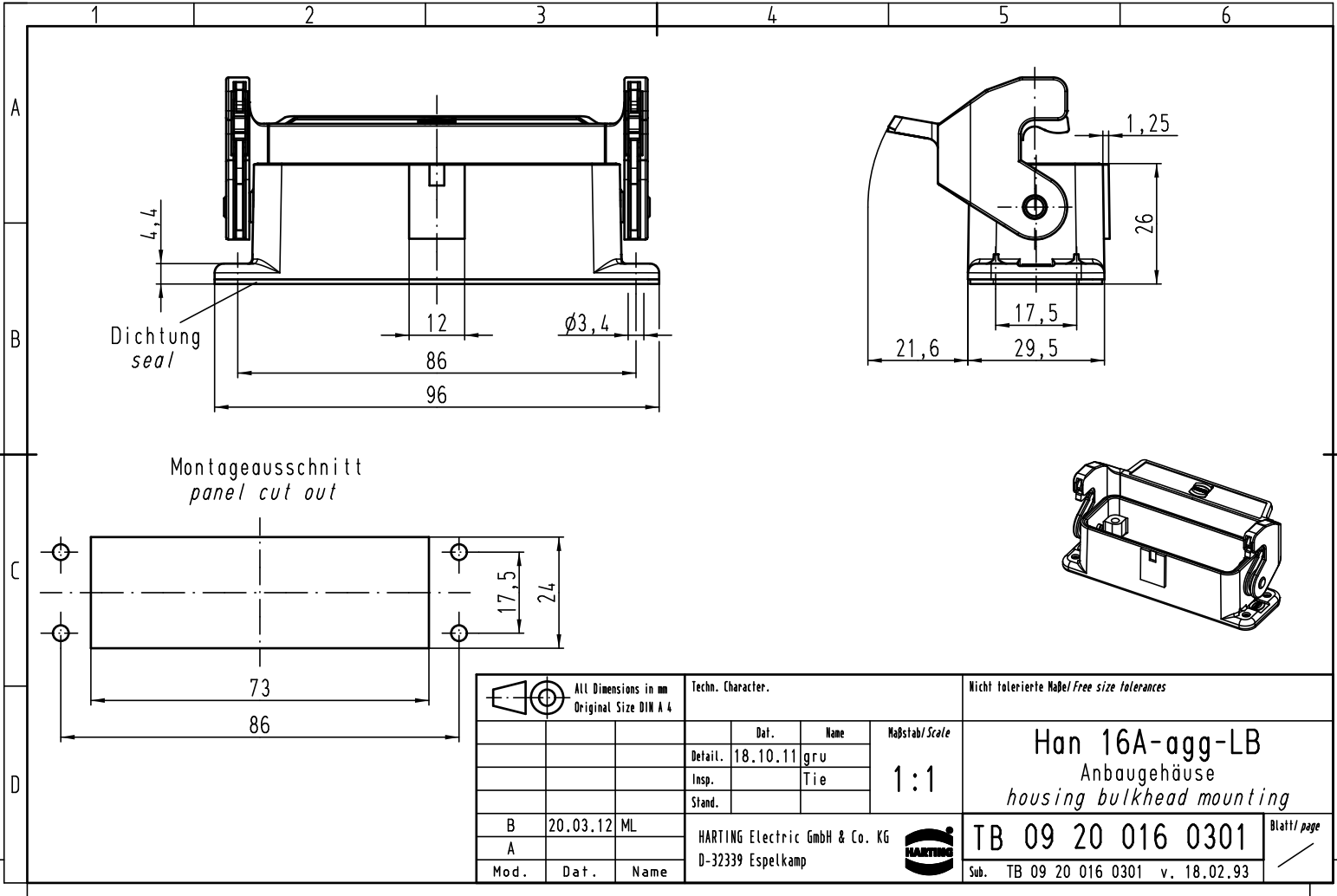
Excellent Integrated System Limited

Stocking Distributor

Click to view price, real time Inventory, Delivery & Lifecycle Information:

[Harting](#)
[09200160301](#)

For any questions, you can email us directly:
sales@integrated-circuit.com



Montageausschnitt
panel cut out

All Dimensions in mm Original Size DIN A 4			Techn. Character.			Nicht tolerierte Maß/Free size tolerances	
			Detail.	18.10.11	gru	1:1	Han 16A-agg-LB Anbaugehäuse housing bulkhead mounting
			Insp.		Tie		
			Stand.				
B	20.03.12	ML	HARTING Electric GmbH & Co. KG			TB 09 20 016 0301	Blatt/ page
A			D-32339 Espelkamp				
Mod.	Dat.	Name	HARTING			Sub. TB 09 20 016 0301 v. 18.02.93	