

Excellent Integrated System Limited

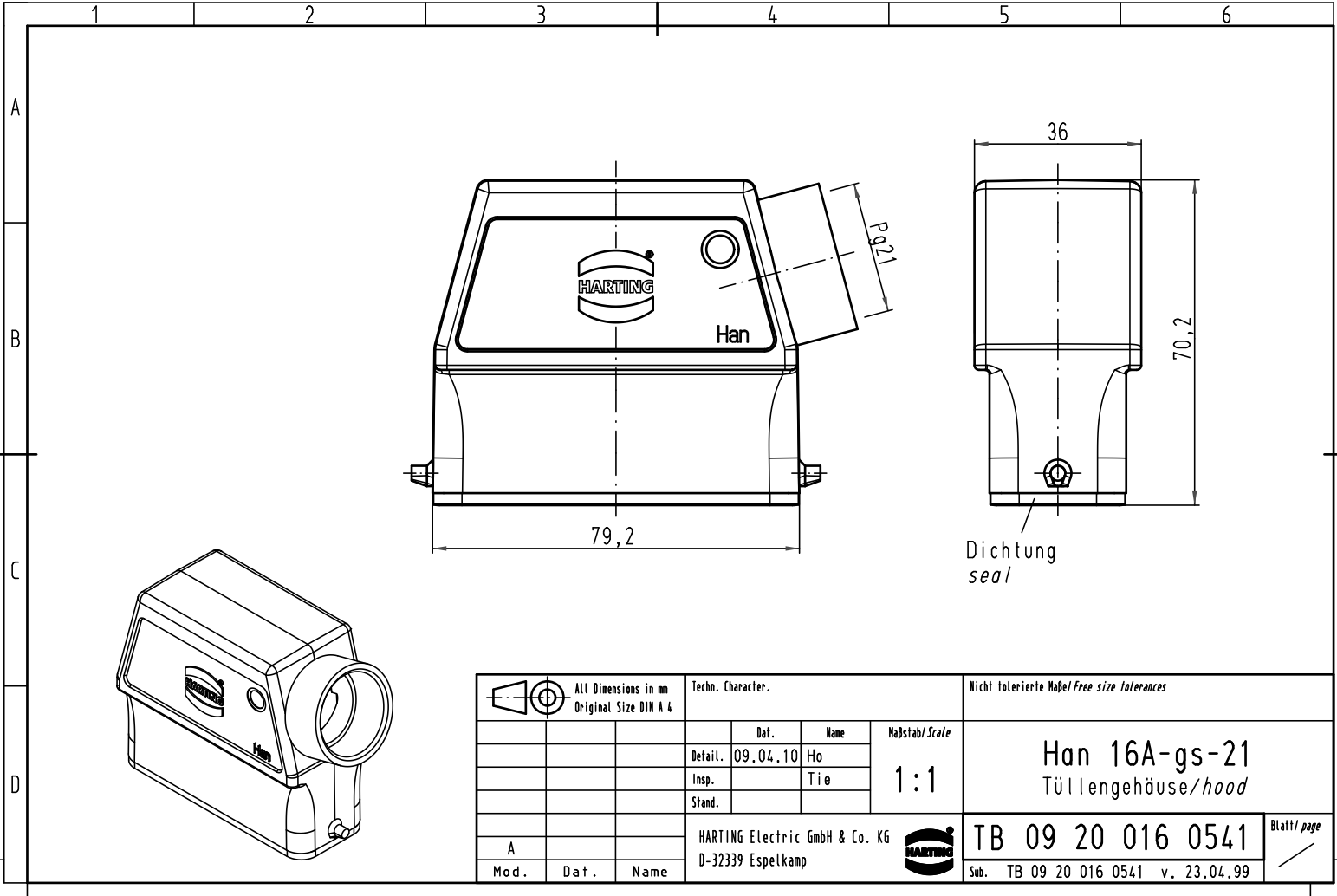
Stocking Distributor



Click to view price, real time Inventory, Delivery & Lifecycle Information:

[Harting](#)
[09200160541](#)

For any questions, you can email us directly:
sales@integrated-circuit.com

Alle Rechte vorbehalten/ All rights reserved



 All Dimensions in mm Original Size DIN A 4			Techn. Character.			Nicht tolerierte Maß/Free size tolerances			
			Dat. 09.04.10	Name Ho	Maßstab/Scale 1:1	Han 16A-gs-21 Tüllengehäuse/hood			
			Insp.	Tie					
			Stand.						
A			HARTING Electric GmbH & Co. KG D-32339 Espelkamp			TB 09 20 016 0541			Blatt/ page
Mod.	Dat.	Name				Sub. TB 09 20 016 0541 v. 23.04.99			