

## Excellent Integrated System Limited

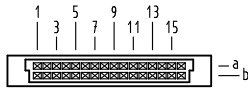
Stocking Distributor

Click to view price, real time Inventory, Delivery & Lifecycle Information:

[Harting](#)  
[09272326801](#)

For any questions, you can email us directly:  
[sales@integrated-circuit.com](mailto:sales@integrated-circuit.com)

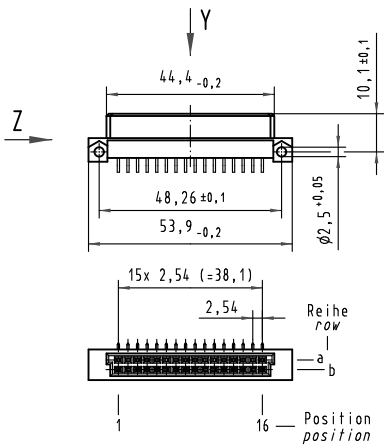
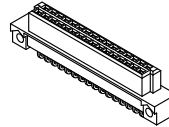
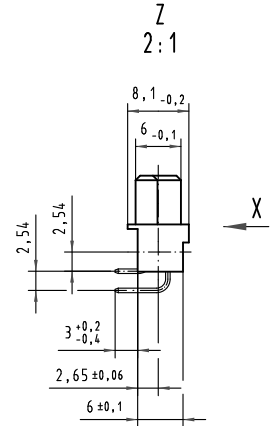
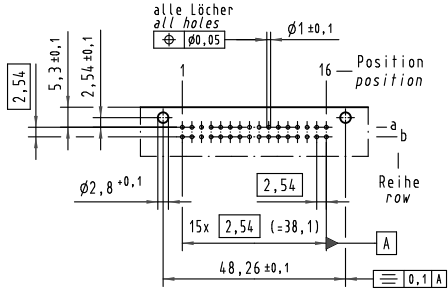
Y  
Kontaktanordnung  
contact arrangement



32 Signal Kontakte  
32 signal contacts

- ☒ = Kontaktposition belegt  
= position with contact
- ☐ = Kontaktposition nicht belegt  
= position without contact

X  
(Lochbild)  
(board drillings)



Alle Rechte vorbehalten. All rights reserved.

|                         |   |                                      |
|-------------------------|---|--------------------------------------|
| 09 27 232 6801          | 2   | Au über/over Ni                      |
| Bestell-Nr.<br>part-no. | Anforderungsstufe nach IEC<br>performance level acc. to IEC | Kontaktoberfläche<br>contact plating |

|   |          |                   |                                   |  |   |
|---|----------|-------------------|-----------------------------------|--|---|
| All Dimensions in mm<br>Original Size DIN A 3 |          | Techn. Character. |                                   | Nicht tolerierte Maß/Free size tolerances<br>IEC 60603-2 |   |
|   |          | Bel.              | Name                              | Maßstab/Scale  | Bauform 2Q Federleiste<br>Einlötl, 32 pol.<br>type 2Q female connector<br>solder, 32 pol. |
|   |          | Detail: 07.07.00  | Rie.                              | 1:1<br>(2:1)   |   |
|   |          | Insp. 07.07.00    | Ko.                               |  |   |
|   |          | Stand.            |                                   |  |   |
| 34650   | 27.08.07 | Hage.             | HARTING Electronics GmbH & Co. KG |  | TB 09 27 232 x801   |
| 28036   |          |                   | D-32339 ESPELKAMP                 |  |   |
| Mod.  | Dat.     | Name              | Sub.                              |  | Blatt/page  |