

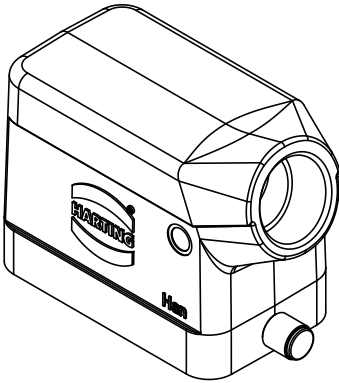
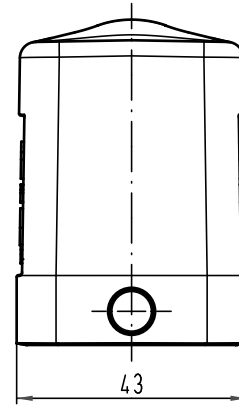
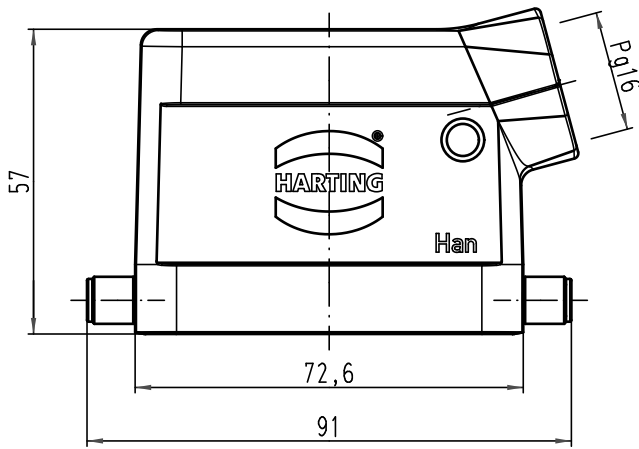
Excellent Integrated System Limited



Stocking Distributor

Click to view price, real time Inventory, Delivery & Lifecycle Information:

[Harting](#)
[09300101541](#)

For any questions, you can email us directly:
sales@integrated-circuit.com



 All Dimensions in mm Original Size DIN A 4			Techn. Character.			Nicht tolerierte Maß/Free size tolerances	
			Detail.	20.12.10	Spr	1:1	Han 10B-gs-R-16 Tüllengehäuse hood
			Insp.		Be		
			Stand.				
A			HARTING Electric GmbH & Co. KG				TB 09 30 010 1541
Mod.	Dat.	Name	D-32339 Espelkamp				