

## Excellent Integrated System Limited

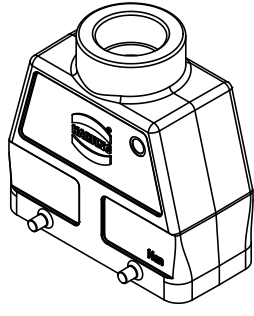
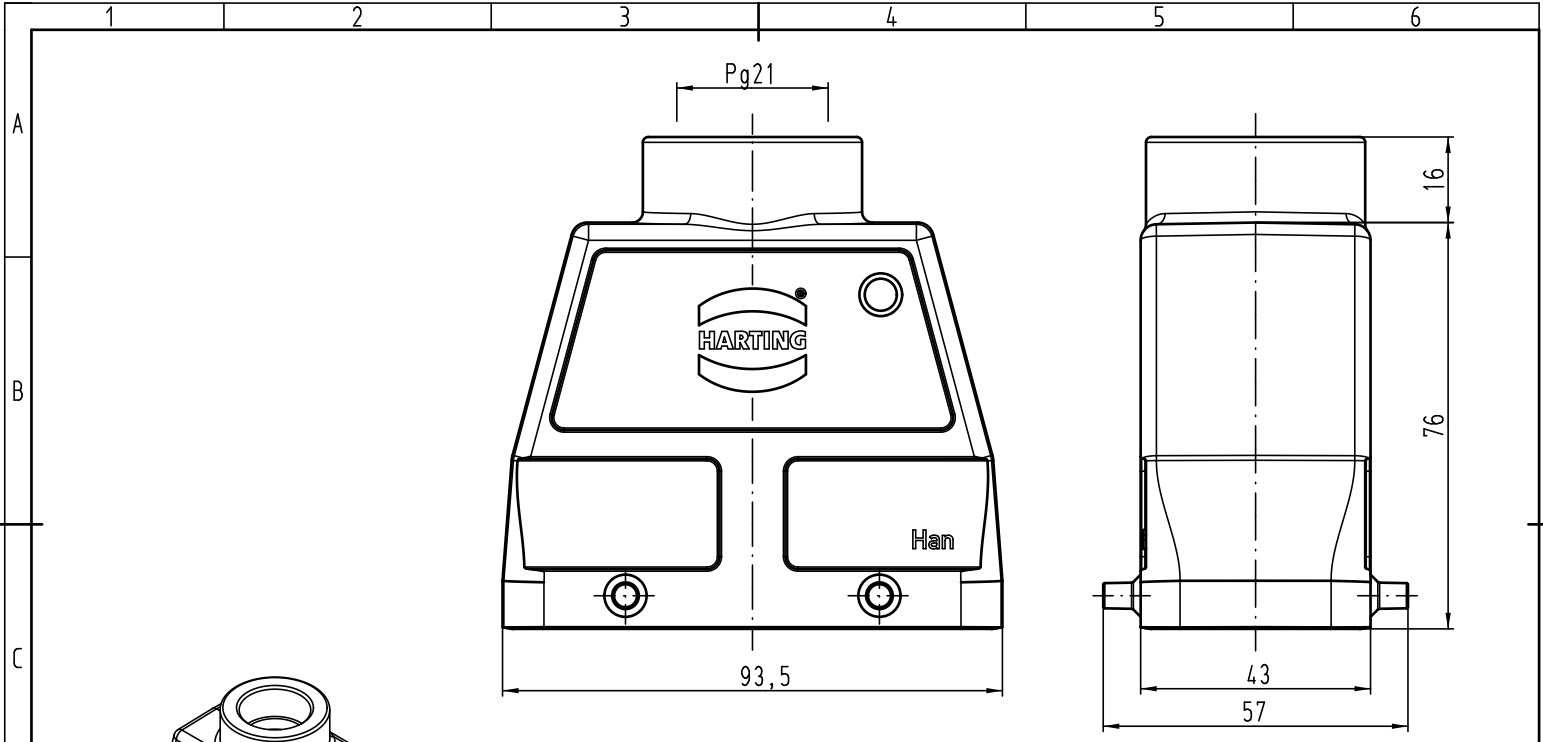
Stocking Distributor

Click to view price, real time Inventory, Delivery & Lifecycle Information:

[Harting](#)  
[09300160420](#)

For any questions, you can email us directly:  
[sales@integrated-circuit.com](mailto:sales@integrated-circuit.com)

Alle Rechte vorbehalten/ All rights reserved



All Dimensions in mm Original Size DIN A 4			Techn. Character.			Nicht tolerierte Maße! Free size tolerances												
			<table border="1"> <tr> <td>Detail.</td> <td>11.04.11</td> <td>Ho</td> </tr> <tr> <td>Insp.</td> <td></td> <td>Be</td> </tr> <tr> <td>Stand.</td> <td></td> <td></td> </tr> </table>	Detail.	11.04.11	Ho	Insp.		Be	Stand.			<table border="1"> <tr> <td>Maßstab/Scale</td> <td rowspan="3">1:1</td> </tr> </table>	Maßstab/Scale	1:1	<b>Han 16B-gg-21</b> Gehäuse/hood		
Detail.	11.04.11	Ho																
Insp.		Be																
Stand.																		
Maßstab/Scale	1:1																	
<table border="1"> <tr> <td>A</td> <td></td> <td></td> </tr> <tr> <td>Mod.</td> <td>Dat.</td> <td>Name</td> </tr> </table>		A			Mod.	Dat.	Name	HARTING Electric GmbH & Co. KG D-32339 Espelkamp		<b>TB 09 30 016 0420</b>	Blatt/ page							
A																		
Mod.	Dat.	Name																
			Sub. TB 09 30 016 0420 v. 22.10.01															