

Excellent Integrated System Limited

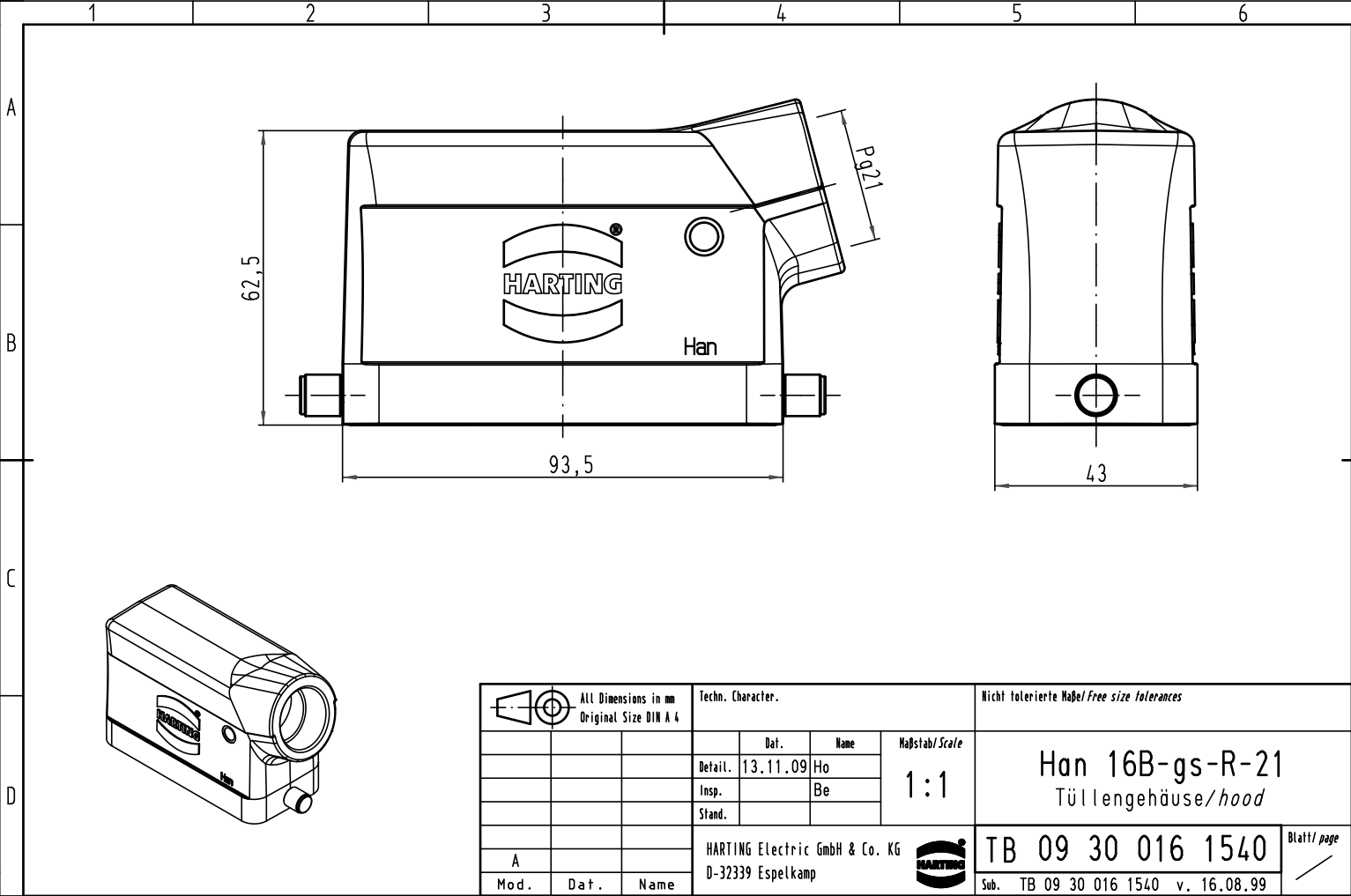
Stocking Distributor



Click to view price, real time Inventory, Delivery & Lifecycle Information:

[Harting](#)
[09300161540](#)

For any questions, you can email us directly:
sales@integrated-circuit.com

Alle Rechte vorbehalten/ All rights reserved



 All Dimensions in mm Original Size DIN A 4			Techn. Character.			Nicht tolerierte Maß/Free size tolerances																						
				<table border="1"> <tr> <th>Detail.</th> <th>Dat.</th> <th>Name</th> </tr> <tr> <td></td> <td>13.11.09</td> <td>Ho</td> </tr> <tr> <td></td> <td></td> <td>Be</td> </tr> <tr> <td></td> <td></td> <td></td> </tr> <tr> <td></td> <td></td> <td></td> </tr> <tr> <td></td> <td></td> <td></td> </tr> </table>	Detail.	Dat.	Name		13.11.09	Ho			Be										<table border="1"> <tr> <th>Maßstab/Scale</th> </tr> <tr> <td>1:1</td> </tr> </table>	Maßstab/Scale	1:1	<p>Han 16B-gs-R-21 Tüllengehäuse/hood</p>		
Detail.	Dat.	Name																										
	13.11.09	Ho																										
		Be																										
Maßstab/Scale																												
1:1																												
A			HARTING Electric GmbH & Co. KG D-32339 Espelkamp			TB 09 30 016 1540		Blatt/ page /																				
Mod.	Dat.	Name				Sub. TB 09 30 016 1540 v. 16.08.99																						