

Excellent Integrated System Limited

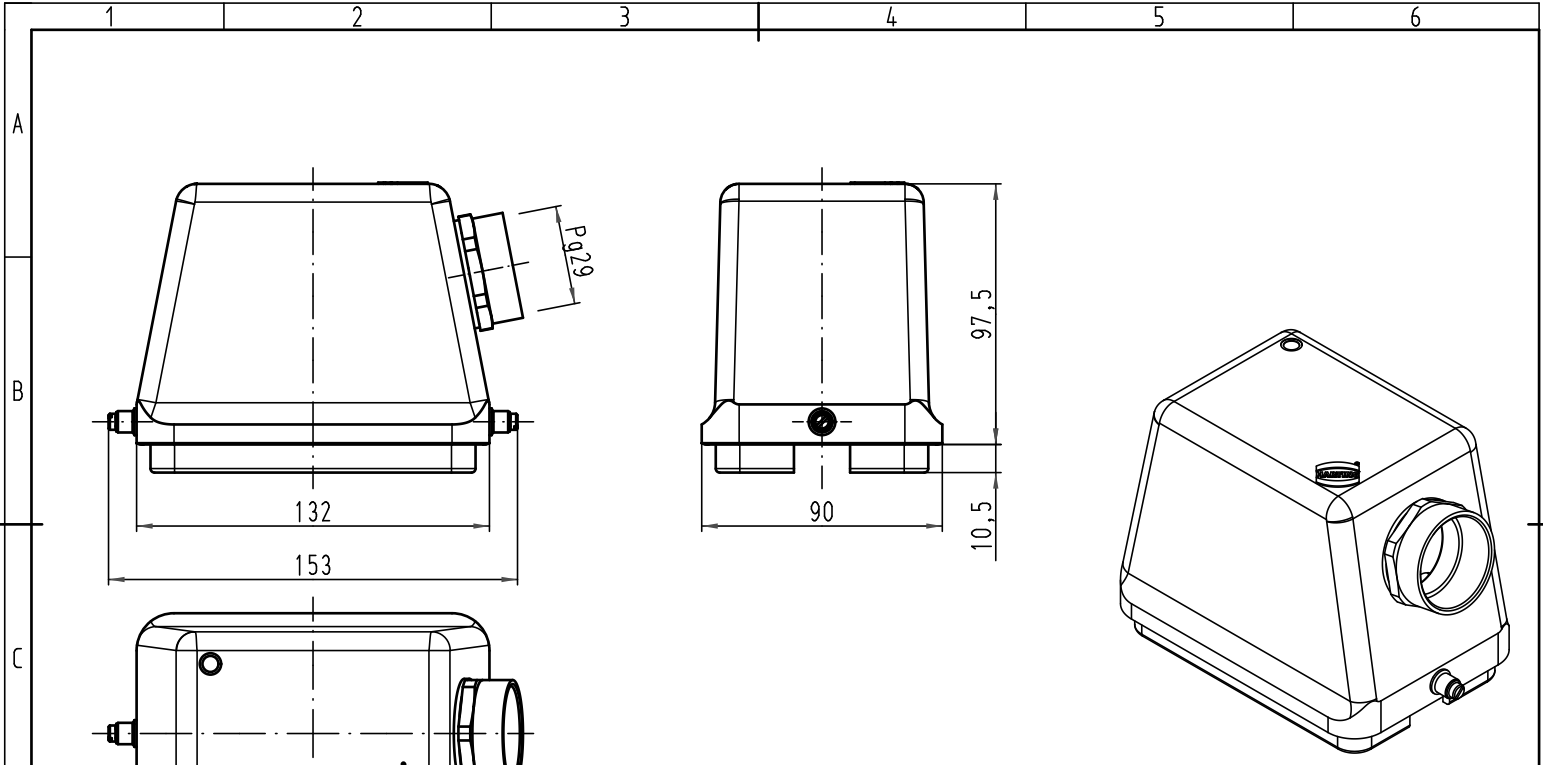
Stocking Distributor

Click to view price, real time Inventory, Delivery & Lifecycle Information:

[Harting](#)
[09300480540](#)

For any questions, you can email us directly:
sales@integrated-circuit.com

Alle Rechte vorbehalten/ All rights reserved



All Dimensions in mm Original Size DIN A 4			Techn. Character.			Nicht tolerierte Maß/Free size tolerances												
			<table border="1"> <tr> <td>Detail.</td> <td>23.01.09</td> <td>Bor</td> </tr> <tr> <td>Insp.</td> <td></td> <td>Be</td> </tr> <tr> <td>Stand.</td> <td></td> <td></td> </tr> </table>	Detail.	23.01.09	Bor	Insp.		Be	Stand.			<table border="1"> <tr> <td>Maßstab/Scale</td> <td rowspan="3">1:2</td> </tr> </table>	Maßstab/Scale	1:2	Han 48B-gs-R-29 Gehäuse hood		
Detail.	23.01.09	Bor																
Insp.		Be																
Stand.																		
Maßstab/Scale	1:2																	
<table border="1"> <tr> <td>A</td> <td></td> <td></td> </tr> <tr> <td>Mod.</td> <td>Dat.</td> <td>Name</td> </tr> </table>		A			Mod.	Dat.	Name	HARTING Electric GmbH & Co. KG D-32339 Espelkamp		TB 09 30 048 0540 Sub. TB 09 30 048 0540 v. 07.12.99	Blatt/ page /							
A																		
Mod.	Dat.	Name																