

Excellent Integrated System Limited

Stocking Distributor

Click to view price, real time Inventory, Delivery & Lifecycle Information:

[Harting](#)
[09320323011](#)

For any questions, you can email us directly:
sales@integrated-circuit.com

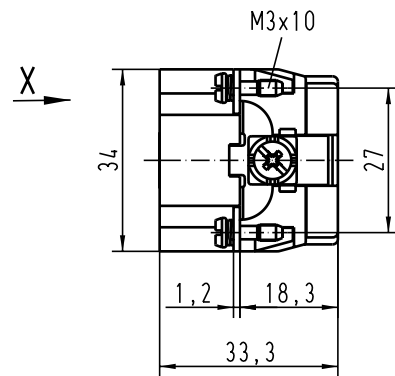
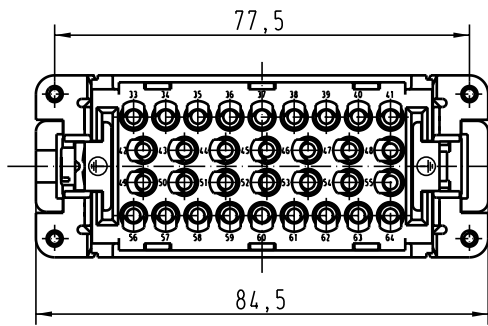
5

4

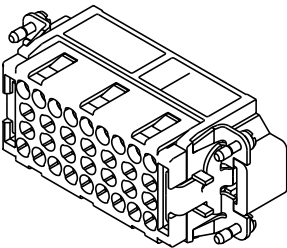
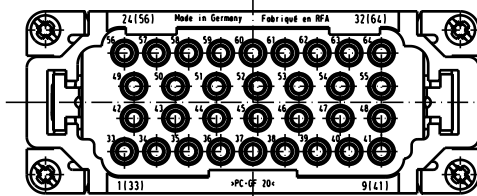
3

2

1



X (um 180° gedreht)



| | | | | | | | |
|---|------|------|---|------|-------------------|---|-----|
| All Dimensions in mm Original Size DIN A 4 | | | Techn. Character. | | | Wicht. Intolerierte Masse/ free size tolerances | |
| | | | Detail. | Dat. | Name | Massstab/Scale | 1:1 |
| Insp. | | KR | | | TB 09 32 032 3011 | | |
| Stand. | | | | | | Sub. | / |
| 410166 | | | HARTING Electric GmbH & Co. KG D-32339 Espelkamp | | | | |
| Mod. | Dat. | Name | | | | | |