

## Excellent Integrated System Limited

Stocking Distributor

Click to view price, real time Inventory, Delivery & Lifecycle Information:

[Panduit](#)  
[T70TRCEI](#)

For any questions, you can email us directly:

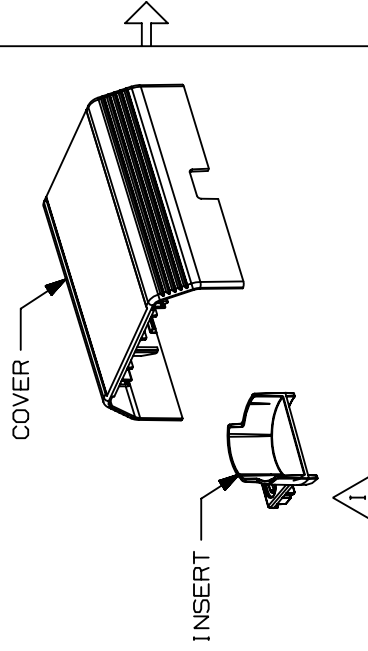
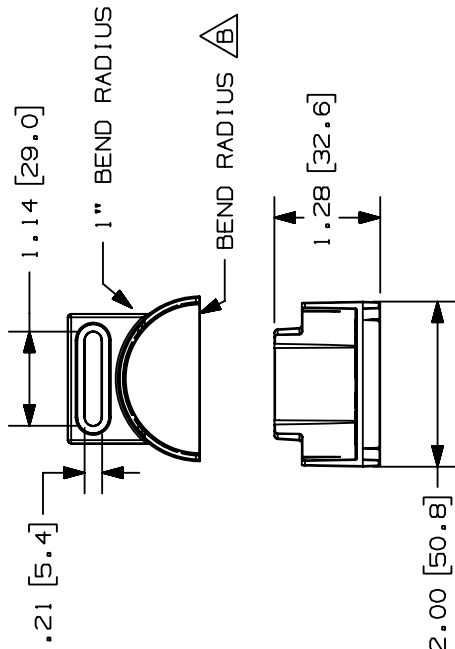
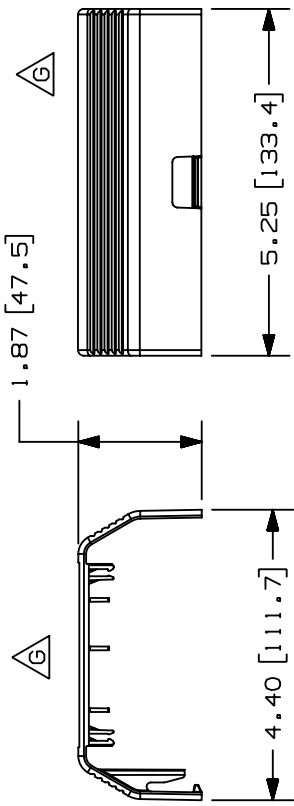
[sales@integrated-circuit.com](mailto:sales@integrated-circuit.com)

THIS COPY IS PROVIDED ON A RESTRICTED BASIS AND IS NOT TO BE USED IN ANY WAY DETRIMENTAL TO THE INTERESTS OF PANDUIT CORP.

PANDUIT P/N	WEIGHT
T70TRC	.179 LBS/PC (107.16 g/PC)



- NOTES:
- SEE CURRENT CATALOG FOR ADDITIONAL PART SUFFIXES TO INDICATE COLOR AND OR PACKAGE QUANTITY.
  - THIS PRODUCT IS INTENDED TO BE USED WITH PANDUIT TYPE LDS, LDP, LD, PD, T70, AND T45 RACEWAYS.
  - DIMENSIONS IN PARENTHESES ARE IN METRIC.



CAD FILENAME/LAYERS		D35541CX_DC_T70TRC_04A.prt						
PANDUIT		CORP. TINLEY PARK, ILLINOIS						
T-70 TRANSITION COVER WITH BEND RADIUS (T70TRC)		CUSTOMER DRAWING						
UNLESS OTHERWISE SPECIFIED, DIMENSIONAL TOLERANCES ARE: (.X) ± (.XXX) † (.XX) ± (.03(.8) ANGLES †		UNLESS OTHERWISE SPECIFIED, ALL DIMENSIONS ARE GIVEN IN INCHES, THIRD ANGLE PROJECTION.						
DRAWN BY	PM	MAT'L	NONE					
DATE	10-07-96	DWG NO.	35541-50					
CHECKED BY	CEF	SIZE	A					
REV	DATE	BY	CHK	DESCRIPTION	ECN	CHK	CUST	SUP
5	05-18-04	JBN	BKR	K. REVISED WEIGHT PER PC: WAS PER 10 PCS	35541-50	RGRO	RGRO	
4	01-13-00	JNU	BKR	J. REVISED NOTE #2 I. REVISED CAD FILE NAME H. ADDED T70 AND T45 TO NOTE 2 G. REVISED GEOMETRY FOR T45 BREAKOUT	35541-50	HIW	HIW	
3	12-17-98	JNU	HIW	F. 1.79 LB WAS 1.63LB, 107166 WAS 9742G E. PVC WAS ABS/POLYCARBONATE D. T-70 WAS T70	35541-50	HIW	HIW	
2	06-22-98	DW	CEF	C. TITLE WAS SINGLE T70 TRANSITION B. ADDED TRANSITION BEND RADIUS	35541-50	CEF	CEF	
1	10-18-96	PM	CEF	A. REVISED BREAKOUT GEOMETRY	35541-50	CEF	CEF	
R	10-07-96	PM	CEF	RELEASED TO PRODUCTION	35541-50	CEF	CEF	