

Excellent Integrated System Limited

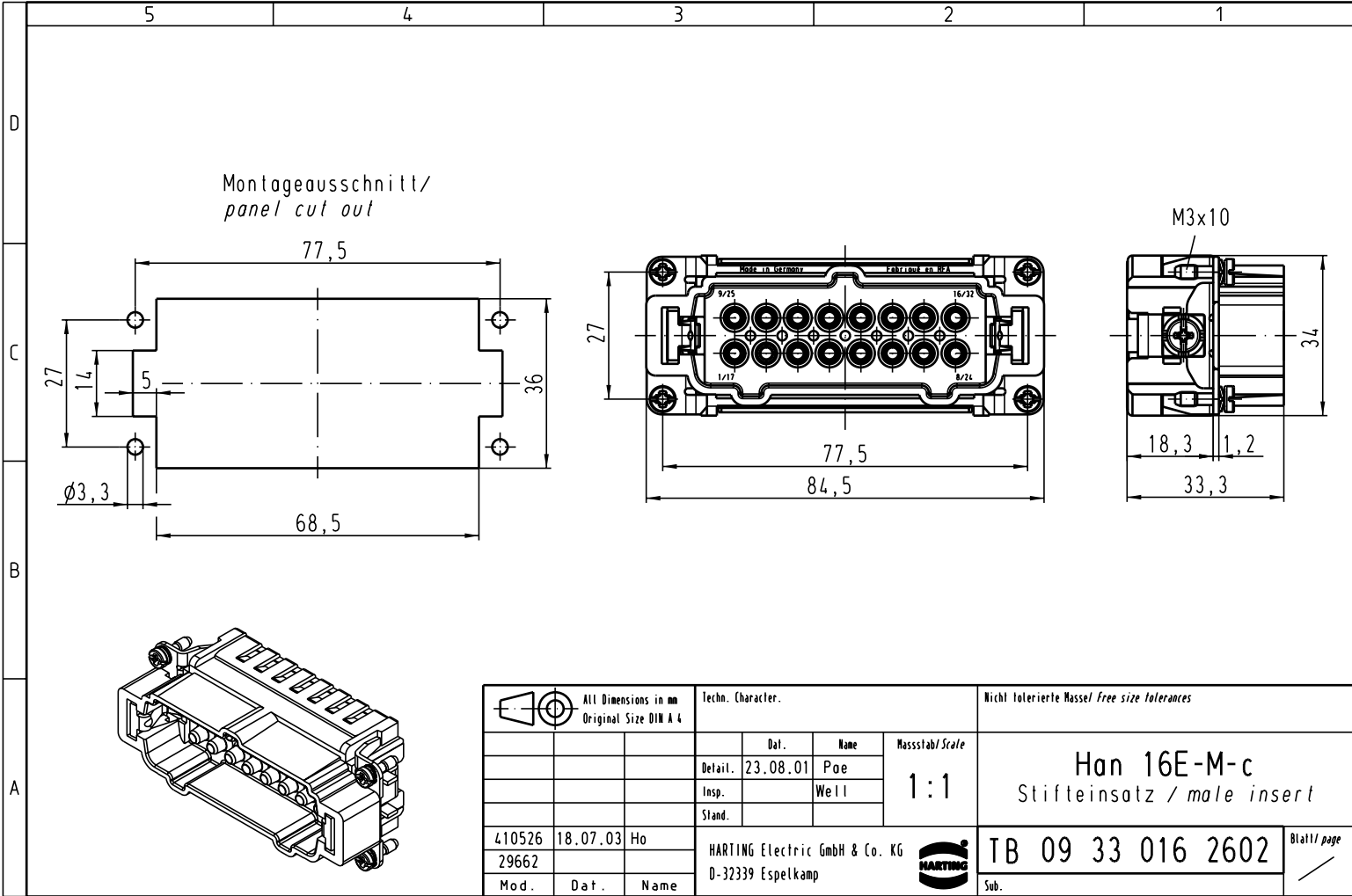
Stocking Distributor

Click to view price, real time Inventory, Delivery & Lifecycle Information:

[Harting](#)
[09330162602](#)

For any questions, you can email us directly:
sales@integrated-circuit.com

Alle Rechte vorbehalten/ All rights reserved



All Dimensions in mm Original Size DIM A 4			Techn. Character.			Nicht tolerierte Masse / free size tolerances				
				Dat.	Name	Maststab / Scale				
				Detail.	23.08.01	Pae	1:1			
				Insp.		Well				
				Stand.						
410526	18.07.03	Ho	HARTING Electric GmbH & Co. KG						TB 09 33 016 2602	Blatt / page
29662			D-32339 Espelkamp							
Mod.	Dat.	Name				Sub.				