

Excellent Integrated System Limited

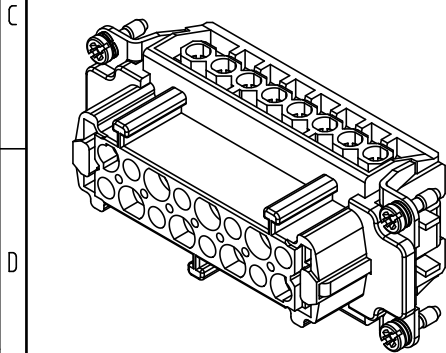
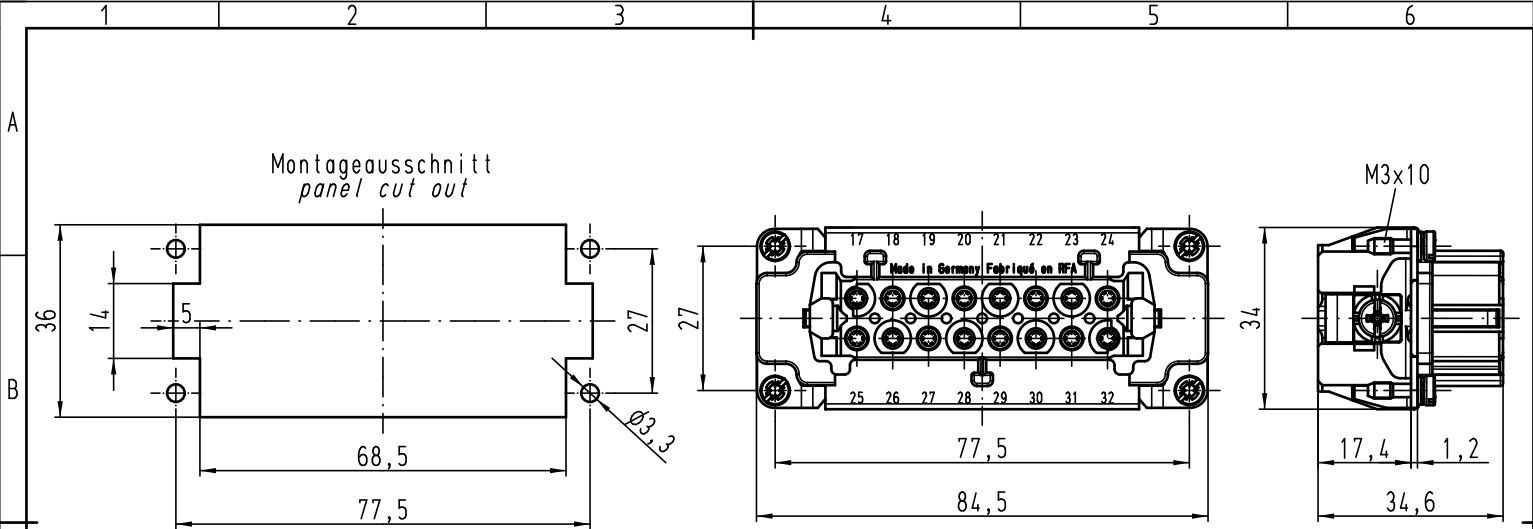
Stocking Distributor

Click to view price, real time Inventory, Delivery & Lifecycle Information:

[Harting](#)
[09330162711](#)

For any questions, you can email us directly:
sales@integrated-circuit.com

Alle Rechte vorbehalten/ All rights reserved



All Dimensions in mm Original Size DIN A 4			Techn. Character.			Nicht tolerierte Maß/Free size tolerances	
			Detail.	Dat.	Name	Maßstab/Scale	Han 16E-F-s Buchseneinsatz (17-32) <i>female insert</i>
Insp.	02.09.11	Spr	1:1				
Stand.		Tie					
A			HARTING Electric GmbH & Co. KG		TB 09 33 016 2711		Blatt/ page
Mod.	Dat.	Name	D-32339 Espelkamp		Sub. TB 09 33 016 2711 v. 03.09.99		