

## Excellent Integrated System Limited

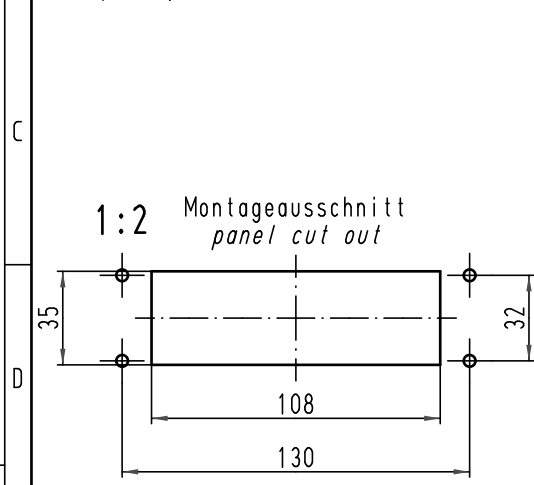
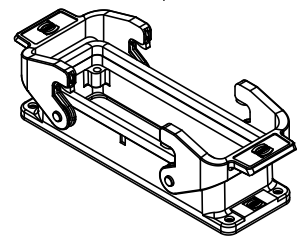
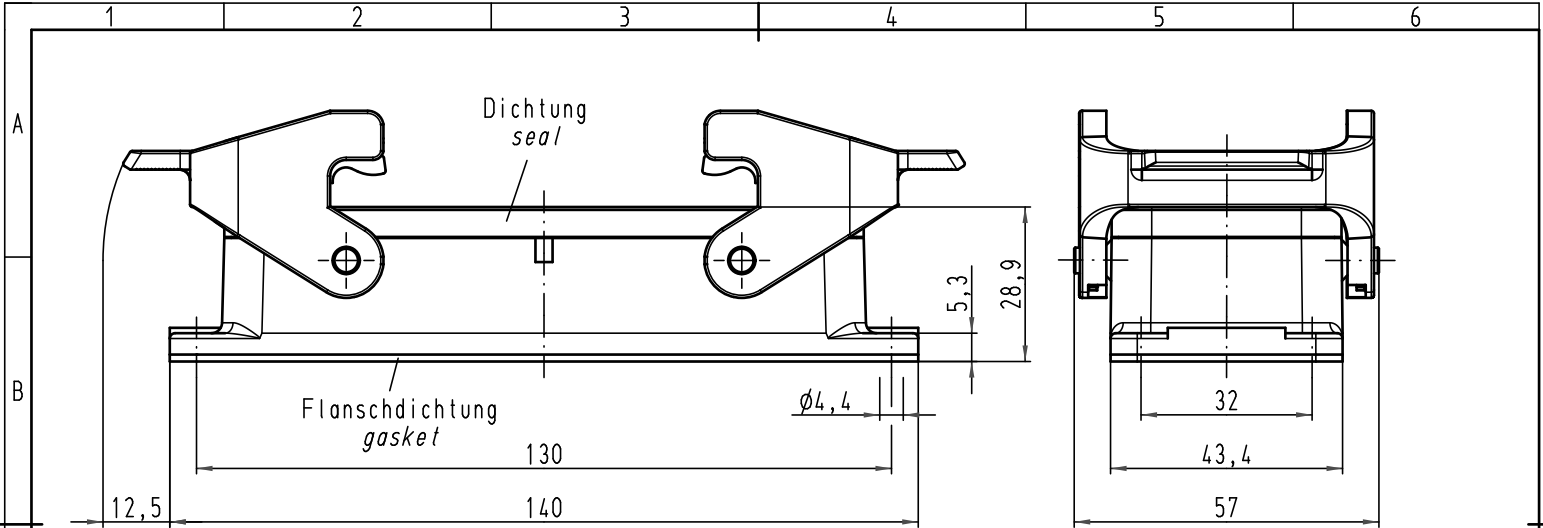
Stocking Distributor

Click to view price, real time Inventory, Delivery & Lifecycle Information:

[Harting](#)  
[09340100301](#)

For any questions, you can email us directly:  
[sales@integrated-circuit.com](mailto:sales@integrated-circuit.com)

Alle Rechte vorbehalten/ All rights reserved



All Dimensions in mm Original Size DIN A 4			Techn. Character.			Nicht tolerierte Maß/Free size tolerances		
			Detail.	25.11.10	Spr	Maßstab/Scale  1:1	<b>Han 10HvE-agg-QB</b> Anbaugeschäube housing bulkhead mounting	
			Insp.		Sch			
			Stand.					
A			HARTING Electric GmbH & Co. KG				<b>TB 09 34 010 0301</b>	
Mod.	Dat.	Name	D-32339 Espelkamp					