

## Excellent Integrated System Limited

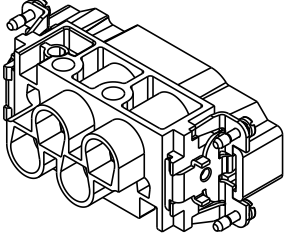
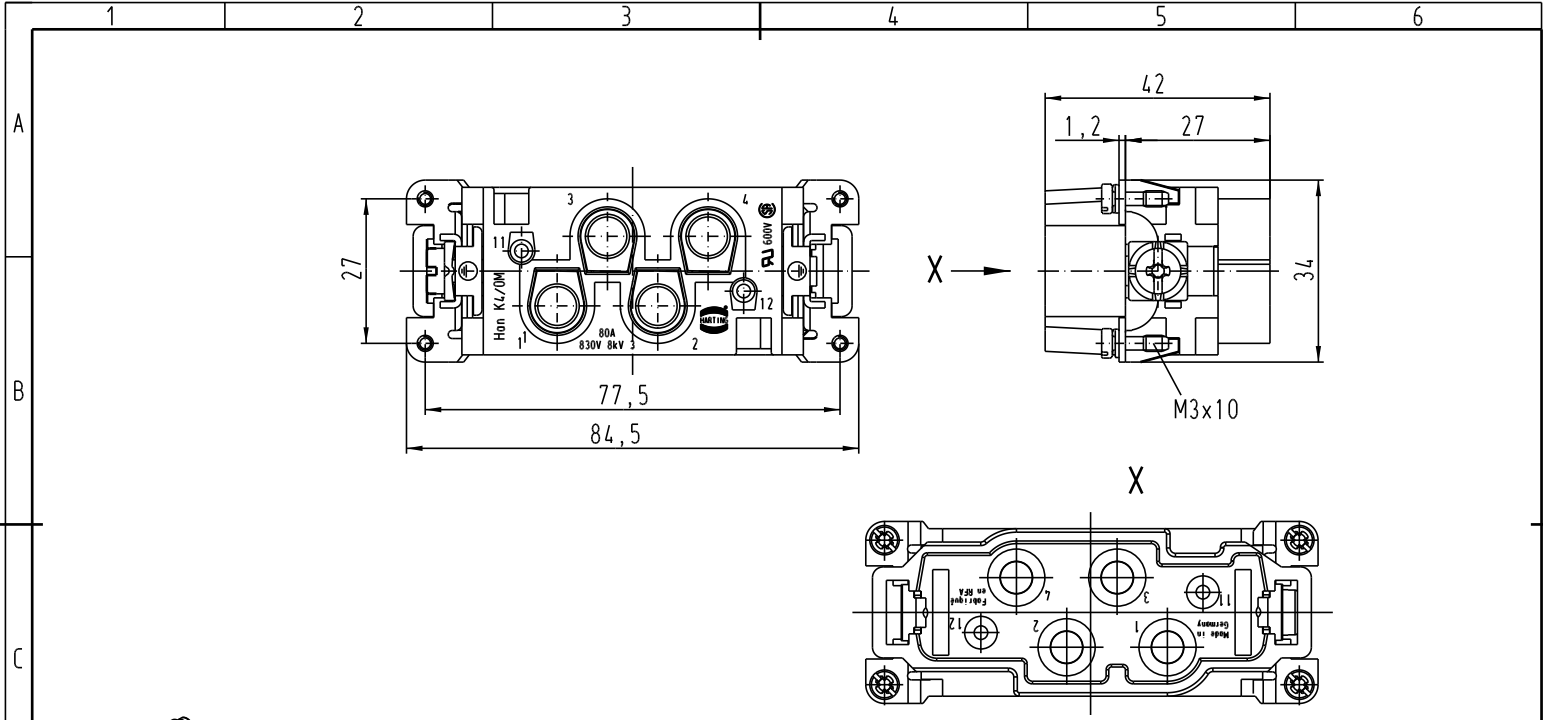
Stocking Distributor



Click to view price, real time Inventory, Delivery & Lifecycle Information:

[Harting](#)  
[09380062611](#)

For any questions, you can email us directly:  
[sales@integrated-circuit.com](mailto:sales@integrated-circuit.com)

Alle Rechte vorbehalten / All rights reserved



 All Dimensions in mm Original Size DIN A 4			Techn. Character.			Nicht tolerierte Masse / free size tolerances	
Mod.	Dat.	Name	Detail.	Dat.	Name	Massstab / Scale	<b>Han K4/0-M</b> Stifteinsatz / male insert
411808	19.09.05	Ho	Insp.	12.02.93	PENNER		
411723	26.07.05	Loe.	Stand.		HERB		
410883	10.02.04	Ho	HARTING Electric GmbH & Co. KG				<b>TB 09 38 006 2611</b> Sub. TB 09 38 006 2611 v. 14.04.89
27361	15.05.00	Gü	D-32339 Espelkamp				
Mod.	Dat.	Name					Blatt / page