

## Excellent Integrated System Limited

Stocking Distributor

Click to view price, real time Inventory, Delivery & Lifecycle Information:

[Harting](#)  
[09380323001](#)

For any questions, you can email us directly:  
[sales@integrated-circuit.com](mailto:sales@integrated-circuit.com)

Alle Rechte vorbehalten/ All rights reserved

5

4

3

2

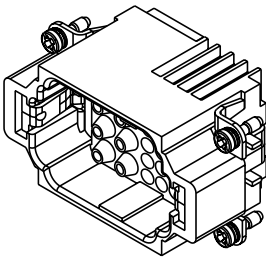
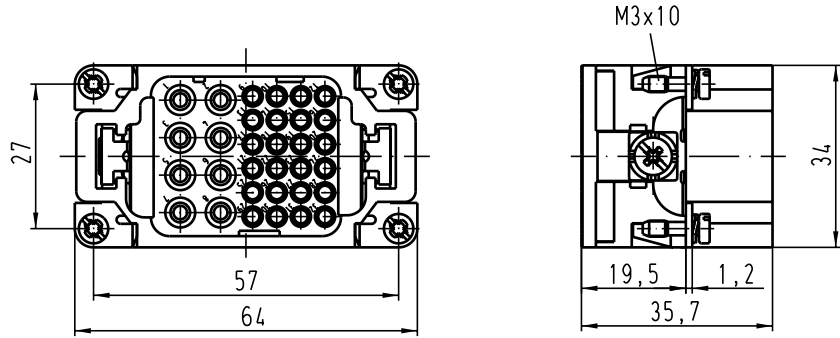
1

D

C

B

A



All Dimensions in mm Original Size DIN A 4			Techn. Character.			Nicht tolerierte Masse/ free size tolerances			
				Dat.	Name	Massstab/Scale			
			Detail.	12.02.93	PENNER	1:1			
			Insp.		HERB				
			Stand.						
411037	18.05.04	Loe.	HARTING Electric GmbH & Co. KG			TB 09 38 032 3001			Bla11/ page
Mod.	Dat.	Name	D-32339 Espelkamp			Sub. TB 09 38 032 3001 v. 29.10.86			

