

Excellent Integrated System Limited

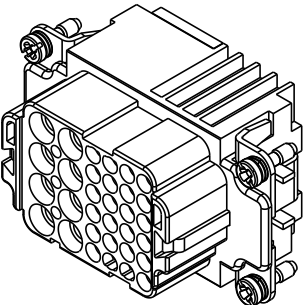
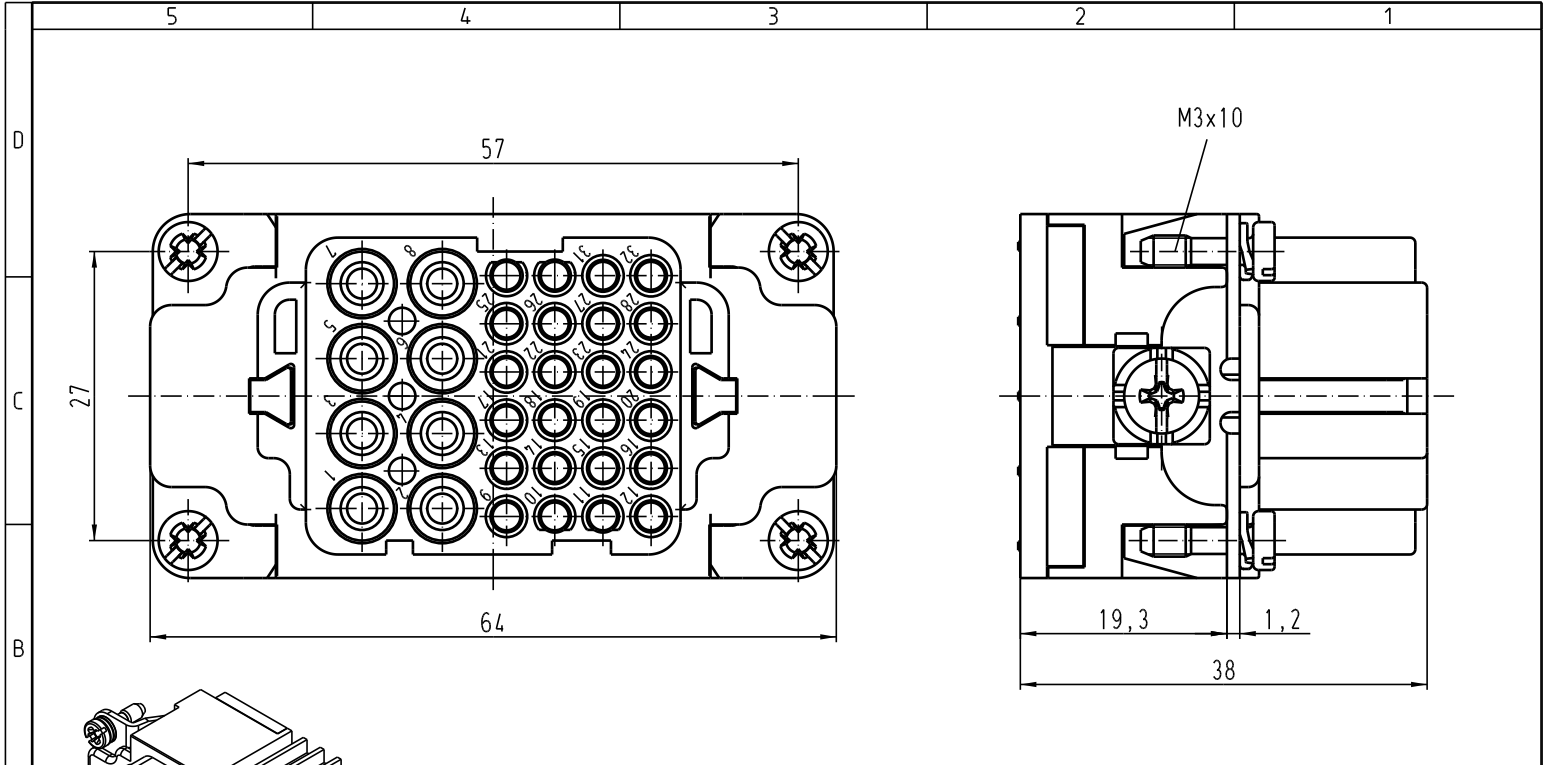
Stocking Distributor



Click to view price, real time Inventory, Delivery & Lifecycle Information:

[Harting](#)
[09380323101](#)

For any questions, you can email us directly:
sales@integrated-circuit.com

Alle Rechte vorbehalten/ All rights reserved



 All Dimensions in mm Original Size DIN A 4			Techn. Character.			Nicht tolerierte Masse! free size tolerances		
				Dat.	Name	Massestab/Scale	Han K8/24-F Buchseneinsatz/ <i>female insert</i>	
			Detail.	12.02.93	PENNER			
			Insp.		HERB			
411752	16.08.05	Grie	Stand.			2:1	TB 09 38 032 3101 Sub. TB 09 38 032 3101 v. 29.10.86	
411315	04.11.04	DY						
411037	18.05.04	Loe.						
Mod.	Dat.	Name	HARTING Electric GmbH & Co. KG D-32339 Espelkamp					Blatt/ page