

## Excellent Integrated System Limited

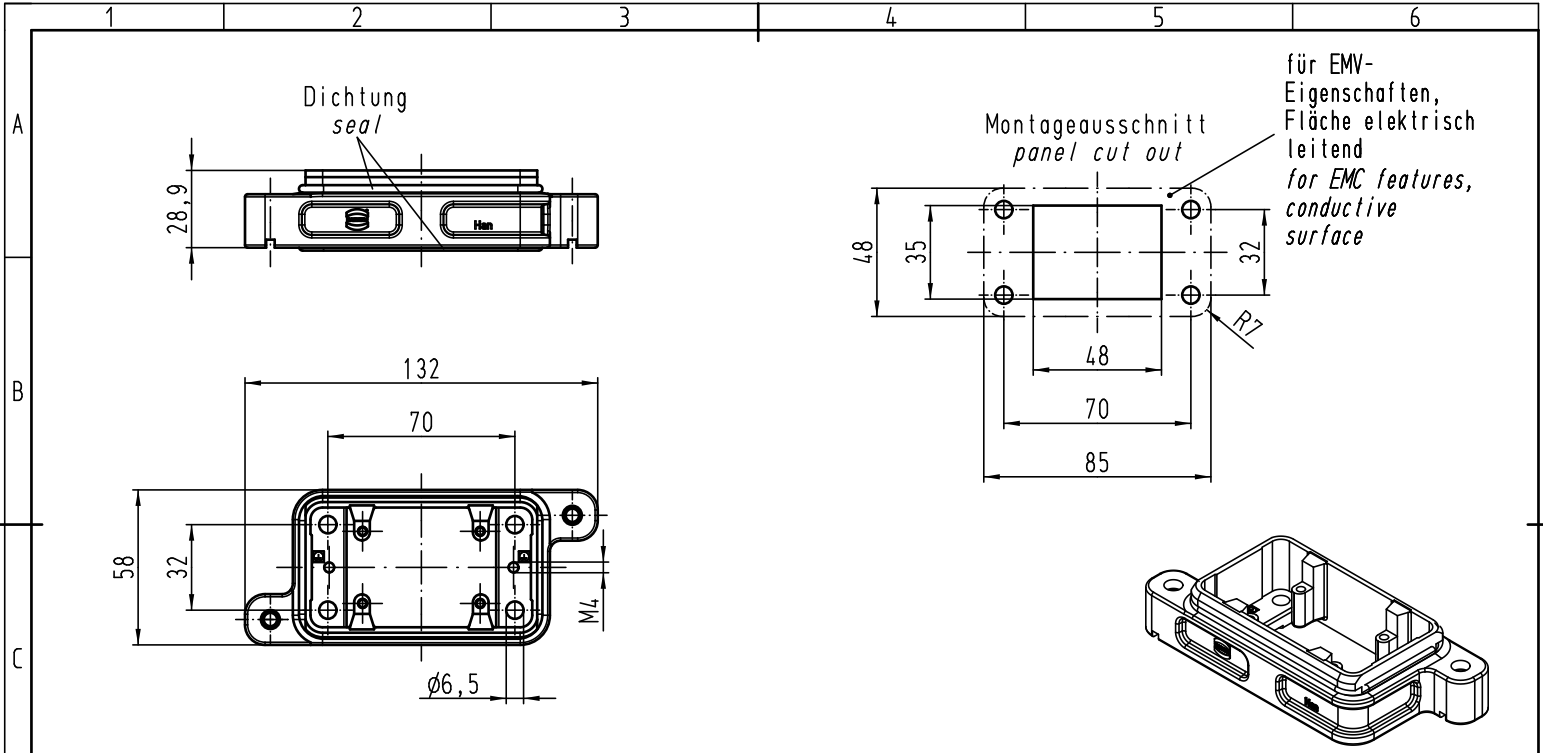
Stocking Distributor

Click to view price, real time Inventory, Delivery & Lifecycle Information:

[Harting](#)  
[09400060311](#)

For any questions, you can email us directly:  
[sales@integrated-circuit.com](mailto:sales@integrated-circuit.com)

Alle Rechte vorbehalten/ All rights reserved



All Dimensions in mm Original Size DIN A 4			Techn. Character.			Nicht tolerierte Masse! Free size tolerances	
				Dat.	Name	Maßstab/ Scale <b>1:2</b>	<b>Han 6HPR-agg-SV</b> Anbaugeschäse für Schraubverschluss housing bulkhead mounting for screw locking system
	Detail.	23.05.11	Spr				
	Insp.		Be				
	Stand.						
A			HARTING Electric GmbH & Co. KG			<b>TB 09 40 006 0311</b>	Blatt/ page
Mod.	Dat.	Name	D-32339 Espelkamp				