

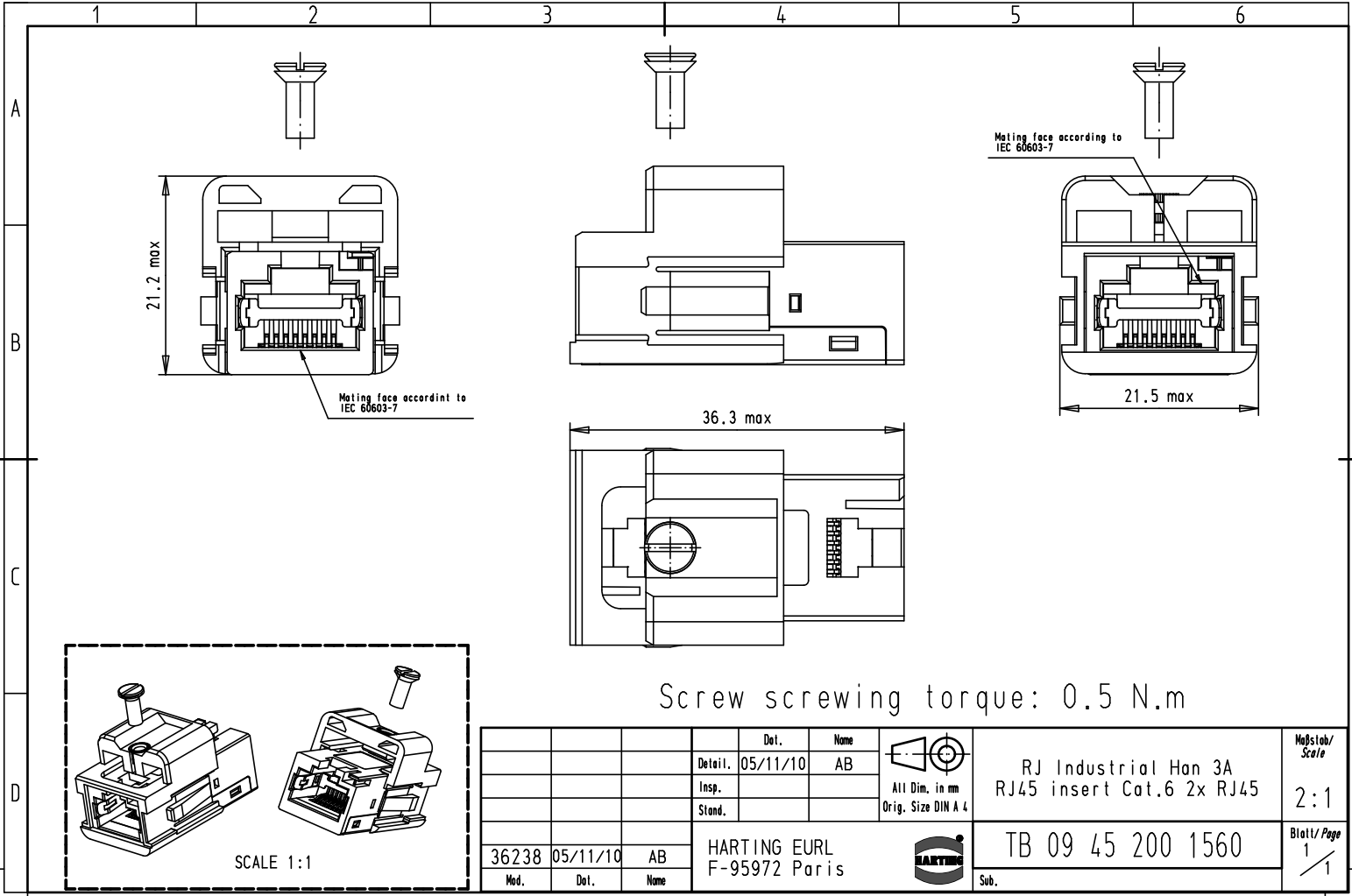
Excellent Integrated System Limited

Stocking Distributor

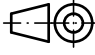

Click to view price, real time Inventory, Delivery & Lifecycle Information:

[Harting](#)
[09452001560](#)

For any questions, you can email us directly:
sales@integrated-circuit.com



Screw screwing torque: 0.5 N.m

				Det.	Name	 All Dim. in mm Orig. Size DIN A 4	RJ Industrial Han 3A RJ45 insert Cat.6 2x RJ45	Maßstab/ Scale 2:1
			Detail.	05/11/10	AB			
			Insp.					
			Stand.					
36238	05/11/10	AB	HARTING EURL F-95972 Paris				TB 09 45 200 1560	Blatt/ Page 1 / 1
Mod.	Det.	Name	Sub.					