

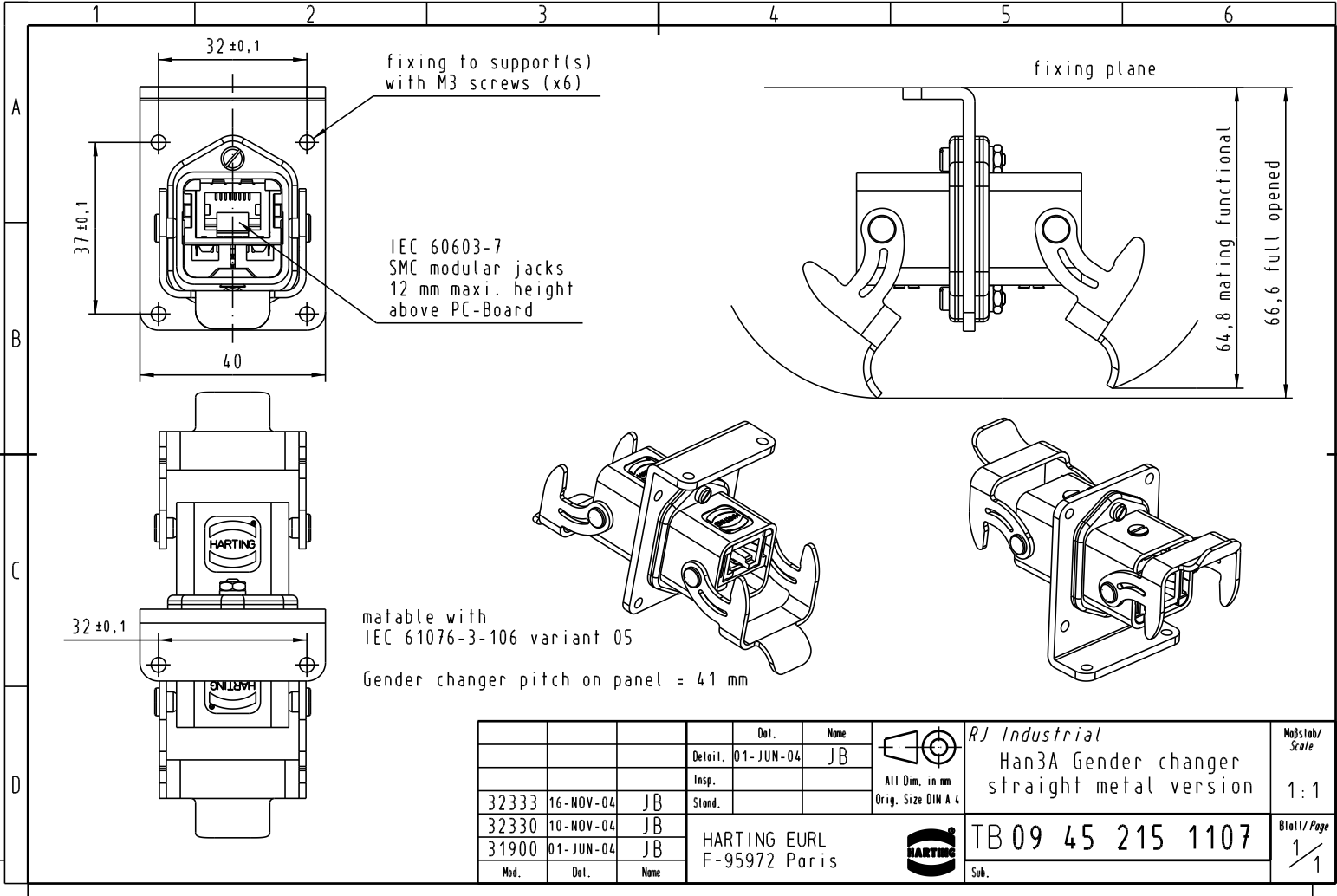
## Excellent Integrated System Limited

Stocking Distributor

Click to view price, real time Inventory, Delivery & Lifecycle Information:

[Harting](#)  
[09452151107](#)

For any questions, you can email us directly:  
[sales@integrated-circuit.com](mailto:sales@integrated-circuit.com)



fixing to support(s)  
with M3 screws (x6)



IEC 60603-7  
SMC modular jacks  
12 mm maxi. height  
above PC-Board

fixing plane

64,8 mating functional  
66,6 full opened

compatible with  
IEC 61076-3-106 variant 05

Gender changer pitch on panel = 41 mm

			Det.	Name	 <i>RJ Industrial</i> Han3A Gender changer straight metal version	Moßstab/ Scale	
			Detail.	01-JUN-04		All Dim. in mm Orig. Size DIN A 4	1:1
32333	16-NOV-04	JB	Insp.				
32330	10-NOV-04	JB	Stand.		 HARTING EURL F-95972 Paris	Blatt/ Page	
31900	01-JUN-04	JB				TB 09 45 215 1107	1/1
Mod.	Det.	Name			Sub.		