

Excellent Integrated System Limited

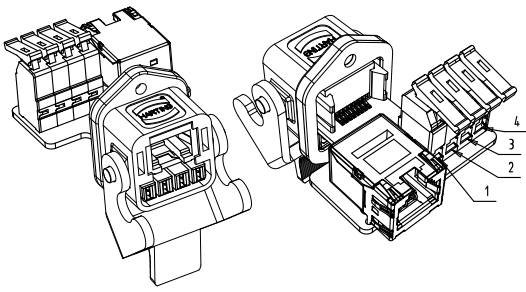
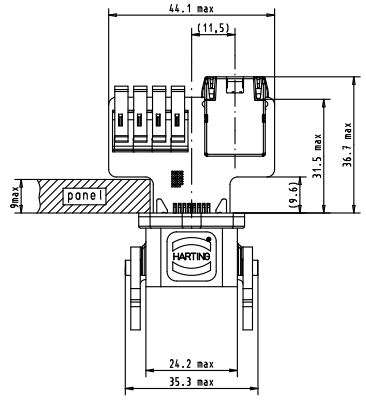
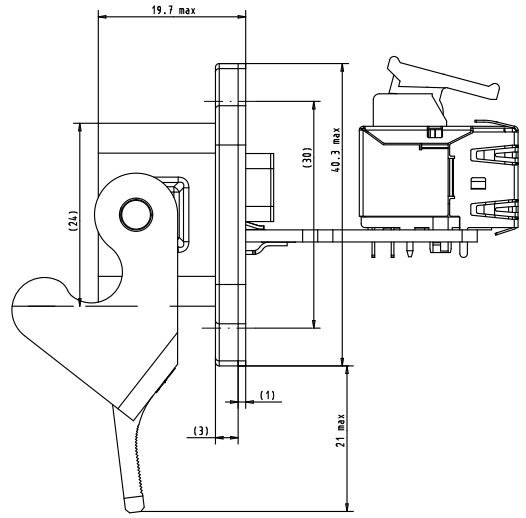
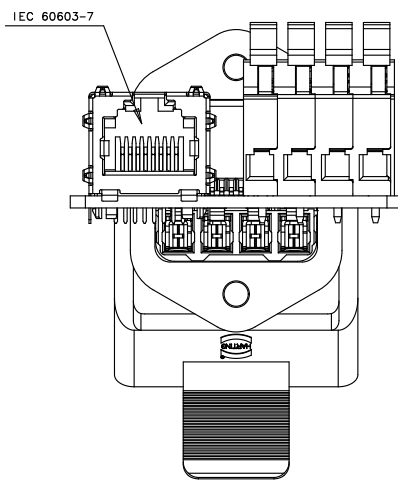
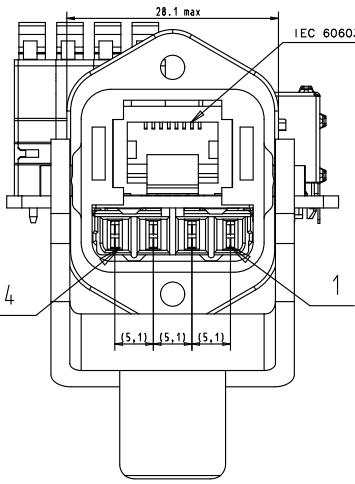
Stocking Distributor

Click to view price, real time Inventory, Delivery & Lifecycle Information:

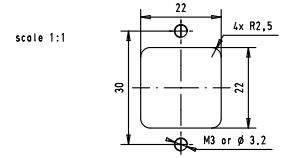
[Harting](#)
[09452251300](#)

For any questions, you can email us directly:
sales@integrated-circuit.com

Alle Rechte vorbehalten. All rights reserved



- 1) recommended wire: 0.5 to 2.5 mm²
- 2) maximal current intensity 16 Amps
- 3) maximal panel thickness 9 mm
- 4) recommended panel cutout



- 5) recommended wire insulator cut
-

Mod.	Det.	Name	Det.	Name	Logo	Part No / Scale
36289	22/02/12	SD	Detail	02/09/03	S.H.	RJ industrial hybrid panel feed through with power cage clamp (16 Amps) and RJ45 modular jack
35634	18/12/08	AB	resp.	22/02/12	JMV	
31536	02/09/03	S.H.	Stand.			
31529	22/07/03	S.H.	HARTING ELEKTRONIK F-95972 Paris			TB 09 45 225 1300
31350	15/10/02	S.H.				
						Blatt / Page