

Excellent Integrated System Limited

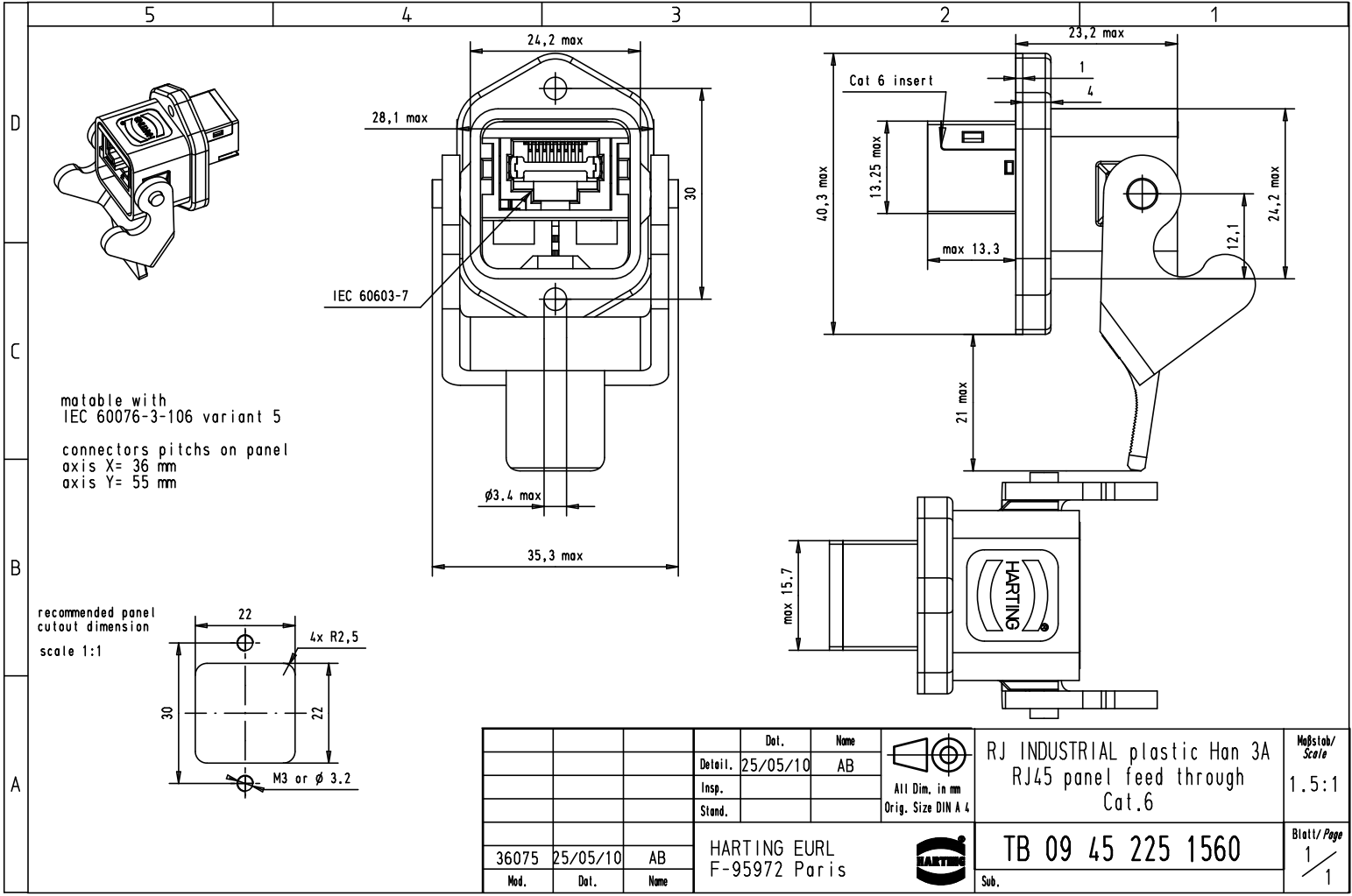
Stocking Distributor

Click to view price, real time Inventory, Delivery & Lifecycle Information:

[Harting](#)
[09452251560](#)

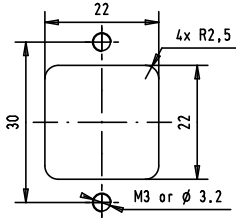
For any questions, you can email us directly:
sales@integrated-circuit.com

Alle Rechte vorbehalten/ All rights reserved



compatible with
IEC 60076-3-106 variant 5
connectors pitchs on panel
axis X= 36 mm
axis Y= 55 mm

recommended panel
cutout dimension
scale 1:1



			Det.	Name	 All Dim. in mm Orig. Size DIN A 4	RJ INDUSTRIAL plastic Han 3A RJ45 panel feed through Cat.6	Maßstab/ Scale 1.5:1
		Insp.	25/05/10	AB			
		Stand.					
36075	25/05/10	AB	HARTING EURL F-95972 Paris			TB 09 45 225 1560	Blatt/ Page 1 / 1
Mod.	Det.	Name					