

Excellent Integrated System Limited

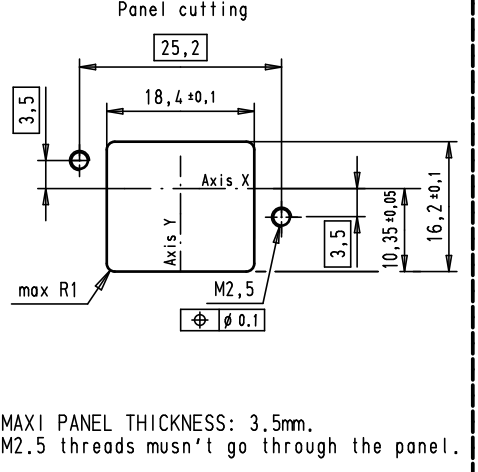
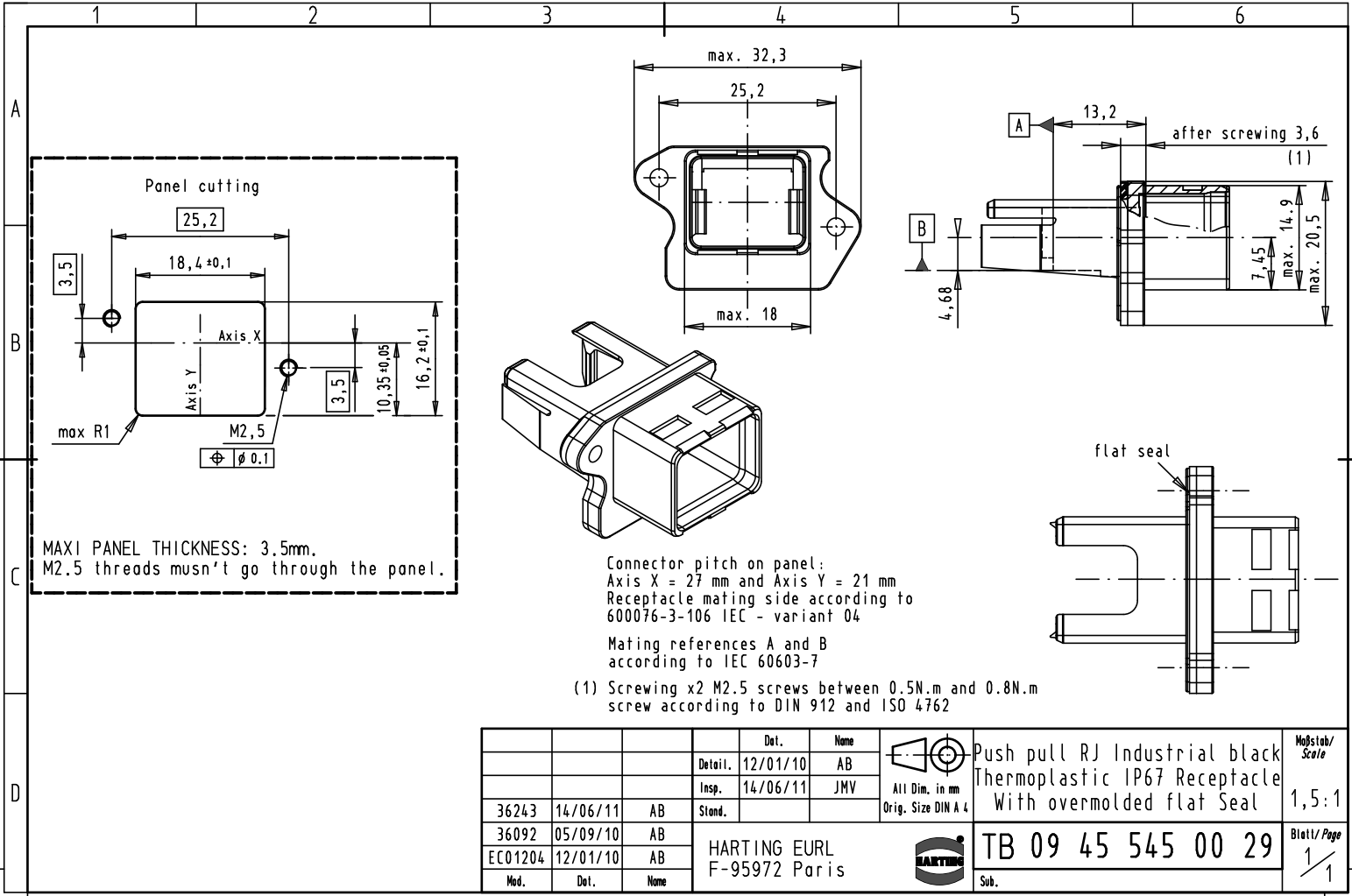
Stocking Distributor

Click to view price, real time Inventory, Delivery & Lifecycle Information:

[Harting](#)
[09455450029](#)

For any questions, you can email us directly:
sales@integrated-circuit.com

Alle Rechte vorbehalten/ All rights reserved





MAXI PANEL THICKNESS: 3.5mm.
 M2.5 threads musn't go through the panel.

Connector pitch on panel:
 Axis X = 27 mm and Axis Y = 21 mm
 Receptacle mating side according to
 600076-3-106 IEC - variant 04

Mating references A and B
 according to IEC 60603-7

(1) Screwing x2 M2.5 screws between 0.5N.m and 0.8N.m
 screw according to DIN 912 and ISO 4762

				Det.	Name	 All Dim. in mm Orig. Size DIN A 4	Push pull RJ Industrial black Thermoplastic IP67 Receptacle With overmolded flat Seal	Maßstab/ Scale 1,5:1
			Detail.	12/01/10	AB			
			Insp.	14/06/11	JMV			
36243	14/06/11	AB	Stand.					
36092	05/09/10	AB						
EC01204	12/01/10	AB						
Mod.	Det.	Name	HARTING EURL F-95972 Paris				TB 09 45 545 00 29	Blatt/ Page 1/1