



**Distributor of Harting: Excellent Integrated System Limited**

Datasheet of 09643227235 - D-Sub Connector Plug, Male Pins 25 Position Through Hole Solder

Contact us: [sales@integrated-circuit.com](mailto:sales@integrated-circuit.com) Website: [www.integrated-circuit.com](http://www.integrated-circuit.com)

---

## **Excellent Integrated System Limited**

Stocking Distributor

Click to view price, real time Inventory, Delivery & Lifecycle Information:

[Harting](#)

[09643227235](#)

For any questions, you can email us directly:

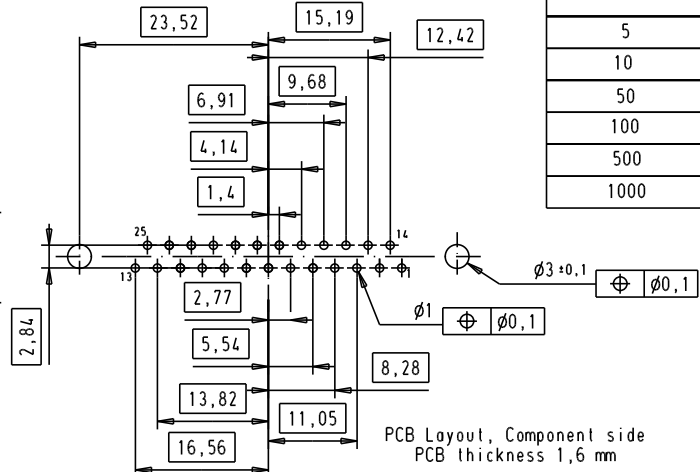
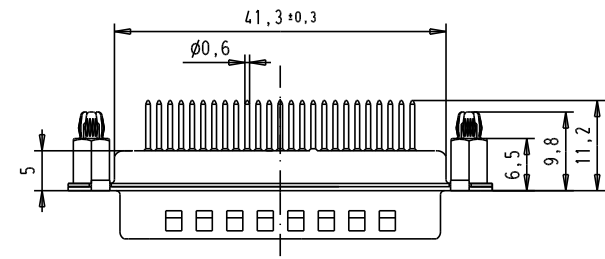
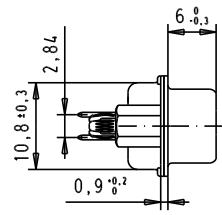
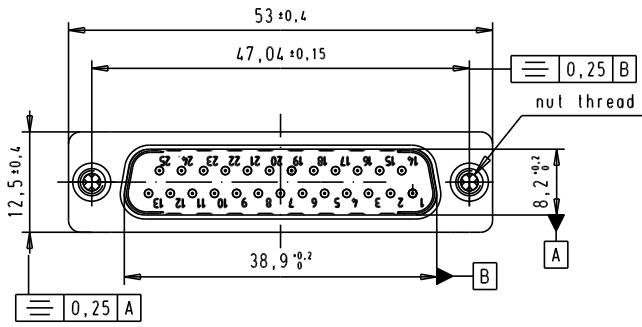
[sales@integrated-circuit.com](mailto:sales@integrated-circuit.com)

Contact us: [sales@integrated-circuit.com](mailto:sales@integrated-circuit.com) Website: [www.integrated-circuit.com](http://www.integrated-circuit.com)

**SPECIFICATION**

Filter type	C
Mating Cycles	500
Capacitance	1000pf±20%
Working Voltage	100v
Current Rating	7.5A
Insulation Resistance	>1GΩ

FREQUENCY (MHz)	ATTENUATION (dB)
5	1dB
10	3dB
50	12dB
100	20dB
500	34dB
1000	30dB



09 64 322 7236	M3
09 64 322 7235	UNC 4-40
Part number	nut thread

Detail	Dat.	Name	Image
Detail.	8-JUL-02	CV	
Insp.			
Stand.			
			All Dim. in mm Orig. Size DIN A 4

D-Sub, male, straight, 25 Poles, with turned solder pin, spacer nut with board lock	Mag/Tab/ Scale 1.5:1
TB 0964322723x	Blatt / Page 2 / 3

HARTING EURL  
F-95972 Paris