

Excellent Integrated System Limited

Stocking Distributor

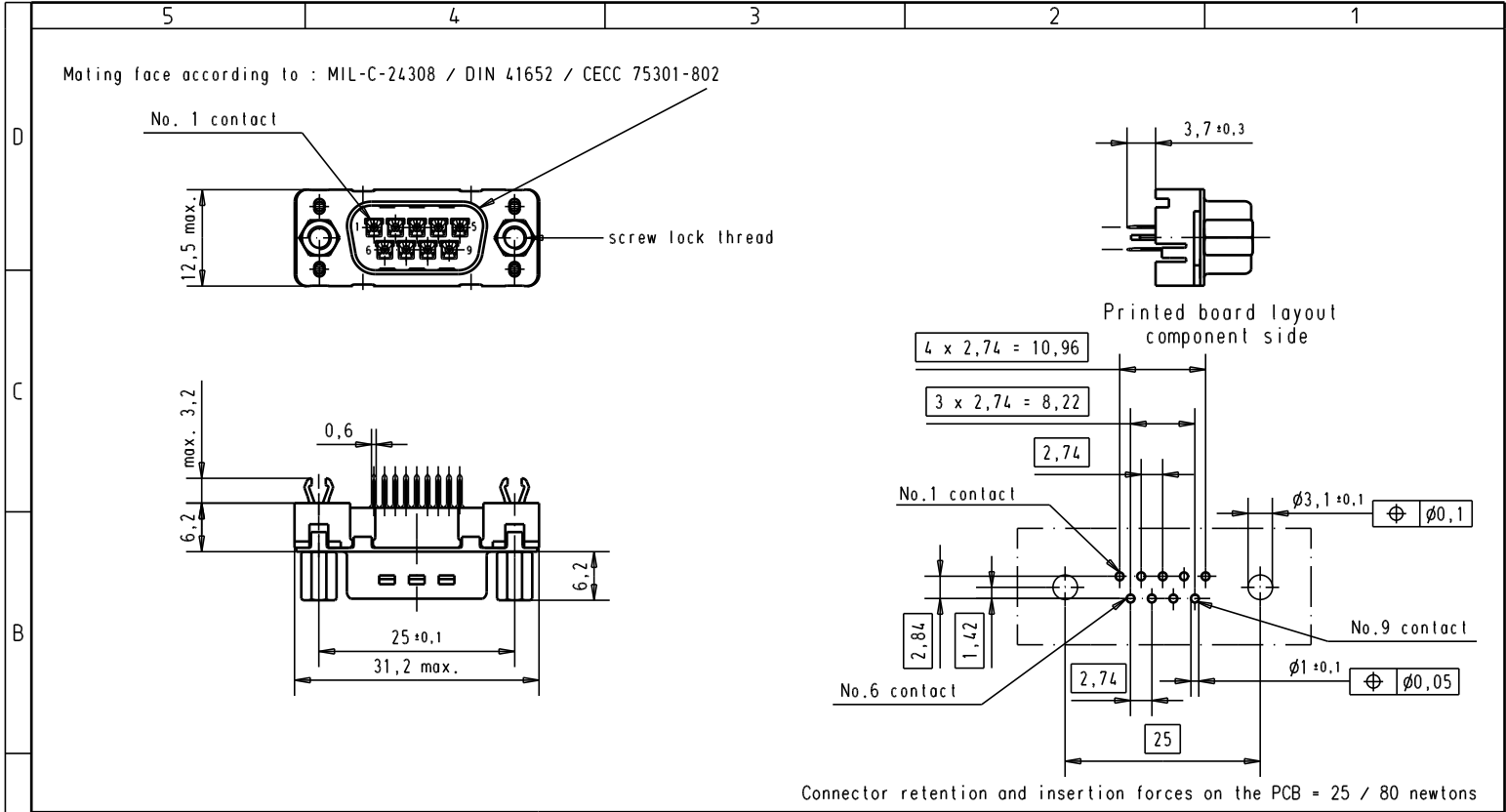
Click to view price, real time Inventory, Delivery & Lifecycle Information:

[Harting](#)

[09651616713](#)

For any questions, you can email us directly:

sales@integrated-circuit.com



09 65 161 3733	M3	1					Det.	Name	D-Sub, 9 poles, male, straight with solder pins 3,7, screw lock and grounding board lock.	Maßstab/ Scale 1,5:1
09 65 161 6733	M3	2				Detail.	07-FEB-02	JB		
09 65 161 7733	M3	3				Insp.				
09 65 161 3713	4-40 UNC	1	31892	22/04/04	JH	Stand.			All Dim. in mm Orig. Size DIN A 4	TB 09 65 161 X7X3 Sub.
09 65 161 6713	4-40 UNC	2	29723	05-MAR-02	CV					
09 65 161 7713	4-40 UNC	3	29746	07-FEB-02	JB					
Part number	Screw lock thread	Performance level	Mod.	Det.	Name	HARTING EURL F-95972 Paris				Blatt/ Page 1 /