

Excellent Integrated System Limited

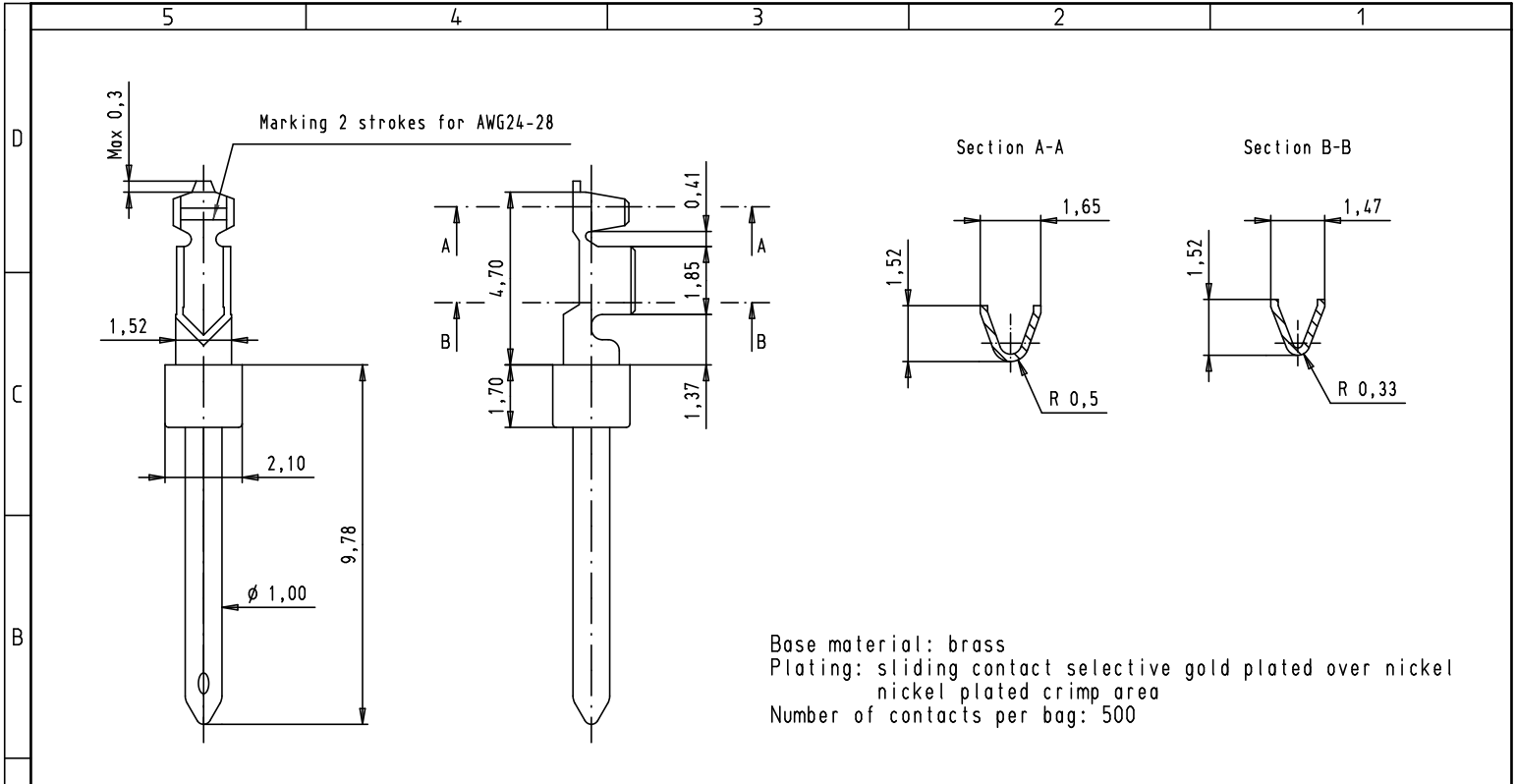
Stocking Distributor

Click to view price, real time Inventory, Delivery & Lifecycle Information:

[Harting](#)
[09670007177](#)

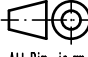

For any questions, you can email us directly:
sales@integrated-circuit.com

Alle Rechte vorbehalten/ All rights reserved



Base material: brass
 Plating: sliding contact selective gold plated over nickel
 nickel plated crimp area
 Number of contacts per bag: 500

09 67 000 7178	PL2
09 67 000 7177	PL3
09 67 000 7176	PL1
Part number	Performance level

			Det.	Name	 All Dim. in mm Orig. Size DIN A 4	
36288	13/01/12	SD	Detail.	24/03/03		PP
33937	01/03/07	PK	Insp.	13/01/12		JB
32716	18/02/05	AL	Stand.			
31475	24/03/03	PP	HARTING EURL F-95972 Paris			
Mod.	Del.	Name				

D-Sub, stamped male AWG 24-28 crimp contact, bag packaging	Masstab/ Scale 7:1
TB 09 67 000 717X	Blatt/ Page 1/1
Sub.	