

Excellent Integrated System Limited

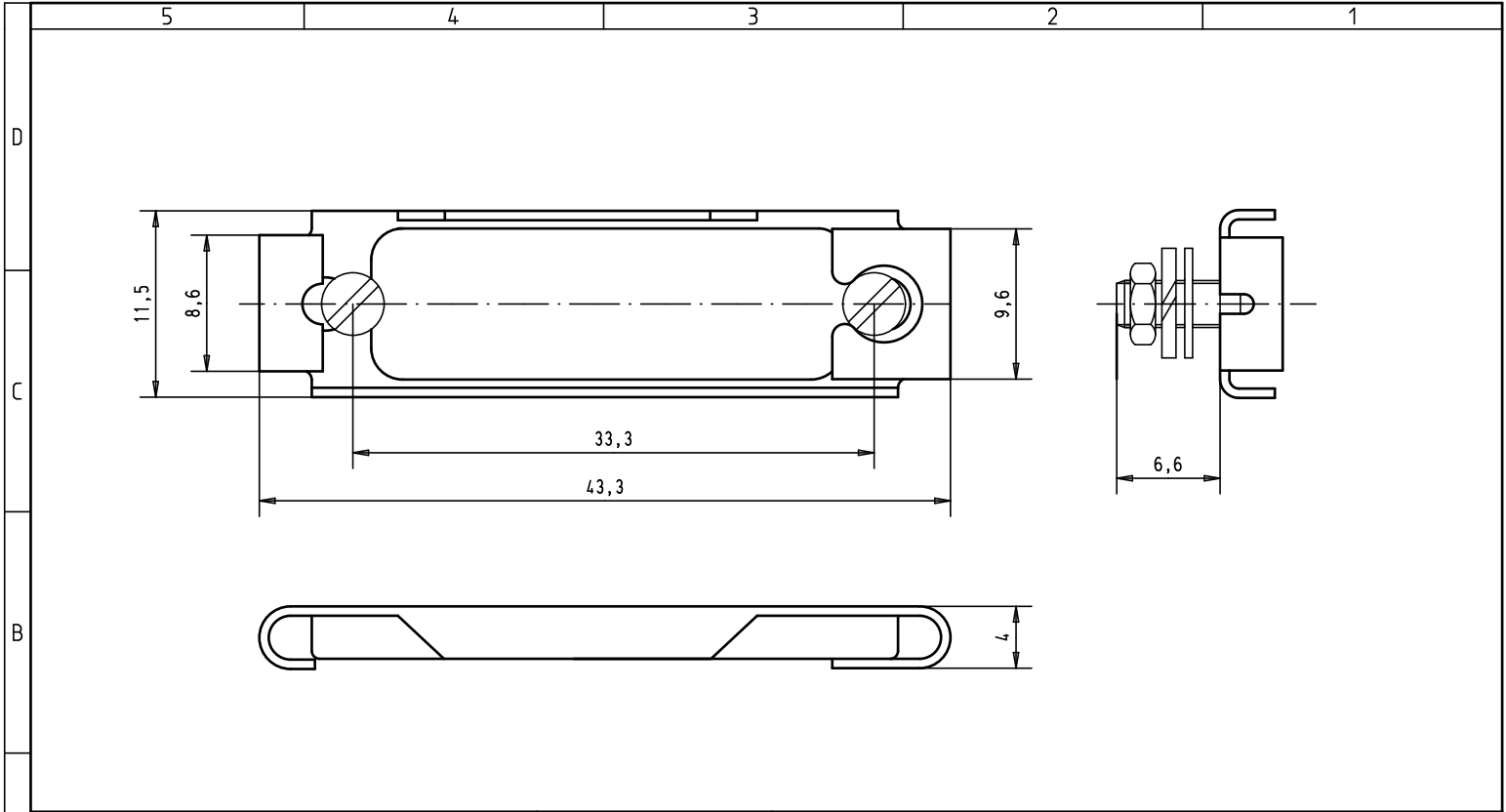
Stocking Distributor



Click to view price, real time Inventory, Delivery & Lifecycle Information:

[Harting](#)
[09670009915](#)

For any questions, you can email us directly:
sales@integrated-circuit.com

Alle Rechte vorbehalten/ All rights reserved



					Det.	Name	 All Dim. in mm Orig. Size DIN A 4	Slide locking device 15 poles corrosion resistant steel	Meßstab/ Scale	
					Detail.	28-MAR-02			CV	3:1
					Insp.					
					Stand.					
					36220	22-NOV-10	SC	 TB 09 67 000 9915	Blatt/ Page	
					29760	28-MAR-02	CV		1/1	
					09 67 000 9915	HARTING EURL F-95972 Paris			Sub.	
					Part number	Mod.	Det.	Name		