

Excellent Integrated System Limited

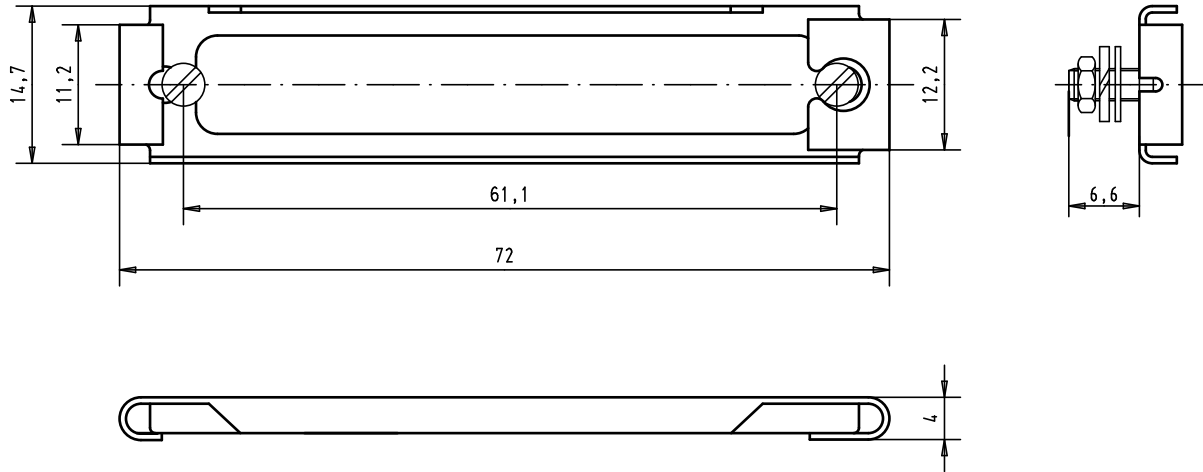
Stocking Distributor



Click to view price, real time Inventory, Delivery & Lifecycle Information:

[Harting](#)
[09670009918](#)

For any questions, you can email us directly:
sales@integrated-circuit.com

Alle Rechte vorbehalten/ All rights reserved



					Det.	Name	 All Dim. in mm Orig. Size DIN A 4	Slide locking device 50 poles corrosion resistant steel	Meßstab/ Scale		
					Detail.	28-MAR-02			CV	2:1	
					Insp.						
					Stand.						
					36220	22-NOV-10	SC		TB 09 67 000 9918 Sub.	Blatt/ Page 1 / 1	
					09 67 000 9918	29760	28-MAR-02				F-95972 Paris
					Part number	Mod.	Det.				Name