

## Excellent Integrated System Limited

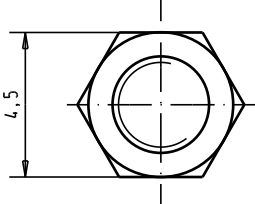
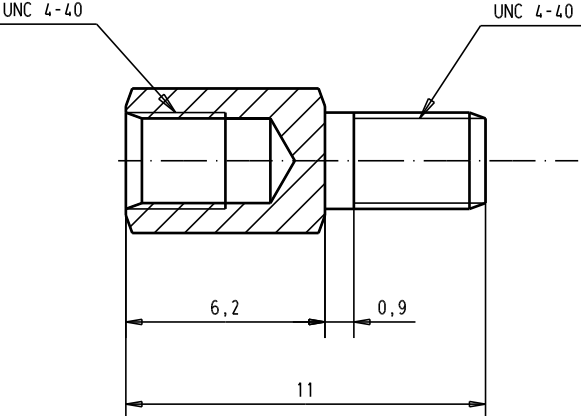
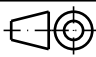

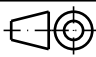



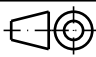

Stocking Distributor

Click to view price, real time Inventory, Delivery & Lifecycle Information:

[Harting](#)  
[09670009972](#)

For any questions, you can email us directly:  
[sales@integrated-circuit.com](mailto:sales@integrated-circuit.com)

Alle Rechte vorbehalten/ All rights reserved

5	4	3	2	1																																																								
																																																												
<table border="1" style="width:100%; border-collapse: collapse;"> <tr> <td style="width: 10%;">32837</td> <td style="width: 10%;">14/06/05</td> <td style="width: 10%;">ED</td> <td style="width: 10%;"></td> <td style="width: 10%;">Det.</td> <td style="width: 10%;">Name</td> <td rowspan="5" style="text-align: center; vertical-align: middle;">             All Dim. in mm            Orig. Size DIN A 4         </td> <td rowspan="5" style="text-align: center; vertical-align: middle;">           D-Sub, Female screw lock            UNC 4-40 / UNC 4-40,            nickel plated         </td> <td style="text-align: center;">Moßstab/ Scale</td> </tr> <tr> <td>31910</td> <td>27/05/04</td> <td>JH</td> <td>Detail.</td> <td>27/05/04</td> <td>JH</td> <td style="text-align: center;">6:1</td> </tr> <tr> <td>29760</td> <td>28/03/02</td> <td>CV</td> <td>Insp.</td> <td></td> <td></td> <td></td> </tr> <tr> <td>23231</td> <td>28/07/98</td> <td>PP</td> <td>Stand.</td> <td></td> <td></td> <td></td> </tr> <tr> <td>21221</td> <td>18/07/97</td> <td>MF</td> <td></td> <td></td> <td></td> <td></td> </tr> <tr> <td>21212</td> <td>16/04/97</td> <td>MF</td> <td colspan="3" style="text-align: center;">           HARTING EURL            F-95972 Paris         </td> <td rowspan="2" style="text-align: center; vertical-align: middle;">  </td> <td style="text-align: center;">Blatt/ Page</td> </tr> <tr> <td>Mod.</td> <td>Det.</td> <td>Name</td> <td colspan="3"></td> <td style="text-align: center;">Sub.</td> <td style="text-align: center;">1/</td> </tr> </table>	32837	14/06/05	ED		Det.	Name	 All Dim. in mm Orig. Size DIN A 4	D-Sub, Female screw lock UNC 4-40 / UNC 4-40, nickel plated	Moßstab/ Scale	31910	27/05/04	JH	Detail.	27/05/04	JH	6:1	29760	28/03/02	CV	Insp.				23231	28/07/98	PP	Stand.				21221	18/07/97	MF					21212	16/04/97	MF	HARTING EURL F-95972 Paris				Blatt/ Page	Mod.	Det.	Name				Sub.	1/	<table border="1" style="width:100%; border-collapse: collapse;"> <tr> <td colspan="2" style="text-align: center;"> <b>TB 09670009972</b> </td> <td style="text-align: center;">  </td> </tr> </table>			<b>TB 09670009972</b>			
32837	14/06/05	ED		Det.	Name	 All Dim. in mm Orig. Size DIN A 4			D-Sub, Female screw lock UNC 4-40 / UNC 4-40, nickel plated	Moßstab/ Scale																																																		
31910	27/05/04	JH	Detail.	27/05/04	JH					6:1																																																		
29760	28/03/02	CV	Insp.																																																									
23231	28/07/98	PP	Stand.																																																									
21221	18/07/97	MF																																																										
21212	16/04/97	MF	HARTING EURL F-95972 Paris				Blatt/ Page																																																					
Mod.	Det.	Name					Sub.	1/																																																				
<b>TB 09670009972</b>		