

Excellent Integrated System Limited

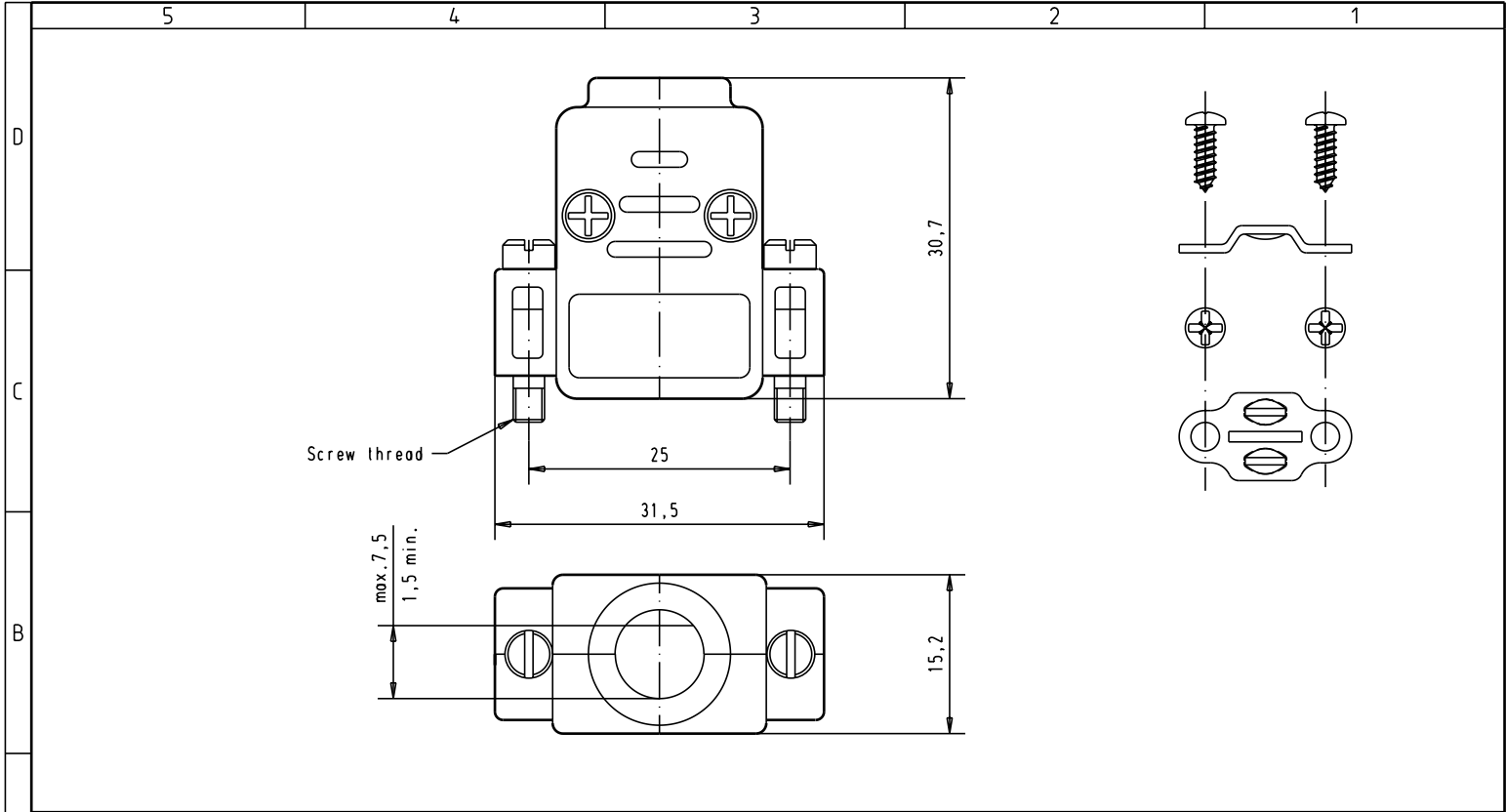
Stocking Distributor



Click to view price, real time Inventory, Delivery & Lifecycle Information:

[Harting](#)
[09670090442](#)

For any questions, you can email us directly:
sales@integrated-circuit.com

Alle Rechte vorbehalten/ All rights reserved



					Det.	Name	 All Dim. in mm Orig. Size DIN A 4	D-Sub thermoplastic black hood, 9 poles with short locking screws.	Moßstab/ Scale	
					Detail.	28-MAR-02			CV	2:1
					Insp.					
					Stand.				Blatt/ Page	
									1	
09 67 009 0442		4-40 UNC			31085	4-SEP-02	CV	 HARTING EURL F-95972 Paris	TB 0967 009 044x Sub.	
Part number	Screw thread	Mod.	Det.	Name	29760	28-MAR-02	CV			