

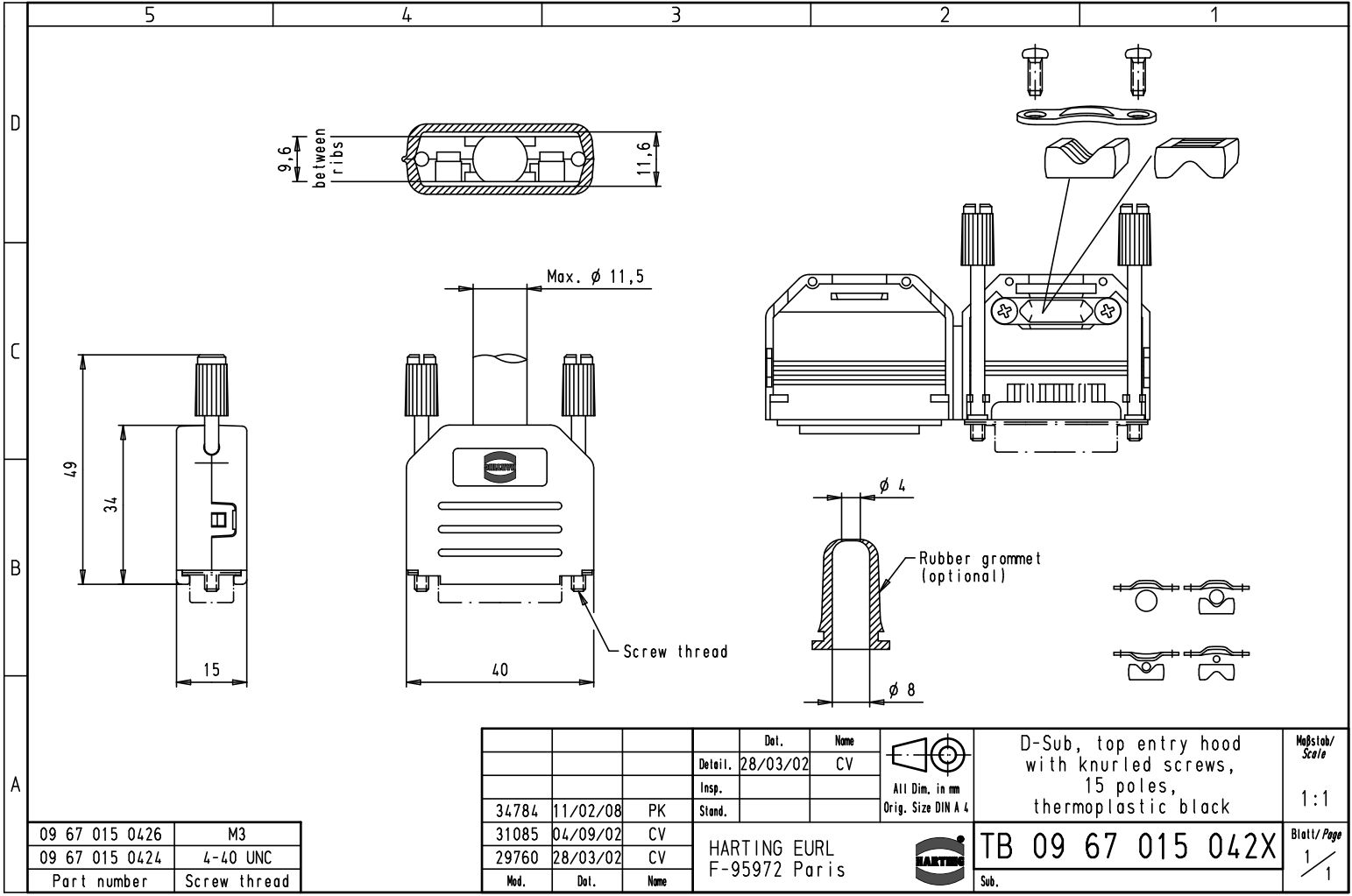
Excellent Integrated System Limited

Stocking Distributor

Click to view price, real time Inventory, Delivery & Lifecycle Information:

[Harting](#)
[09670150424](#)

For any questions, you can email us directly:
sales@integrated-circuit.com



09 67 015 0426	M3
09 67 015 0424	4-40 UNC
Part number	Screw thread

				Det.	Name	 All Dim. in mm Orig. Size DIN A 4	D-Sub, top entry hood with knurled screws, 15 poles, thermoplastic black	Maßstab/ Scale 1:1
			Detail.	28/03/02	CV			
34784	11/02/08	PK	Insp.					
31085	04/09/02	CV	Stand.					
29760	28/03/02	CV						
Mod.	Det.	Name	HARTING EURL F-95972 Paris				TB 09 67 015 042X	Blatt/ Page 1 / 1