

Excellent Integrated System Limited

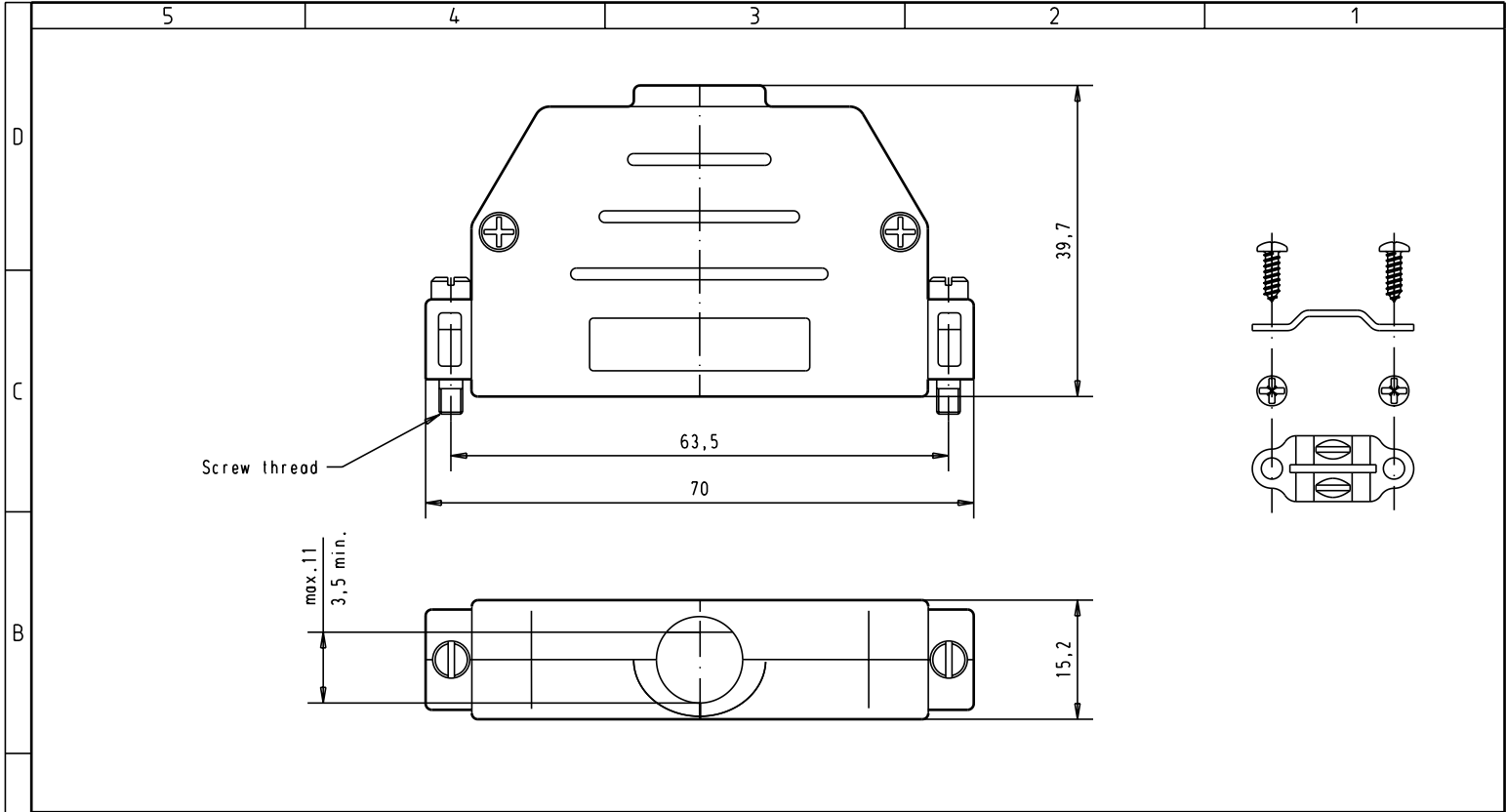
Stocking Distributor



Click to view price, real time Inventory, Delivery & Lifecycle Information:

[Harting](#)
[09670370442](#)

For any questions, you can email us directly:
sales@integrated-circuit.com

Alle Rechte vorbehalten/ All rights reserved



					Det.	Name	 All Dim. in mm Orig. Size DIN A 4	D-Sub, thermoplastic black hood, 37 poles with short locking screws.	Maßstab/ Scale 1.5:1	
					Detail.	28-MAR-02				CV
					Insp.					
					Stand.					
					31085	4-SEP-02	CV		TB 0967 037 044X	Blatt/ Page 1 /
					29760	28-MAR-02	CV			
09 67 037 0442		4-40 UNC			HARTING EURL F-95972 Paris			Sub.		
Part number	Screw thread				Mod.	Det.	Name			