

## Excellent Integrated System Limited

Stocking Distributor

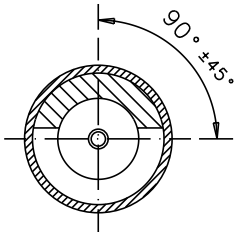
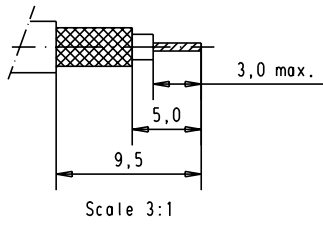
Click to view price, real time Inventory, Delivery & Lifecycle Information:

[Harting](#)  
[09692815230](#)

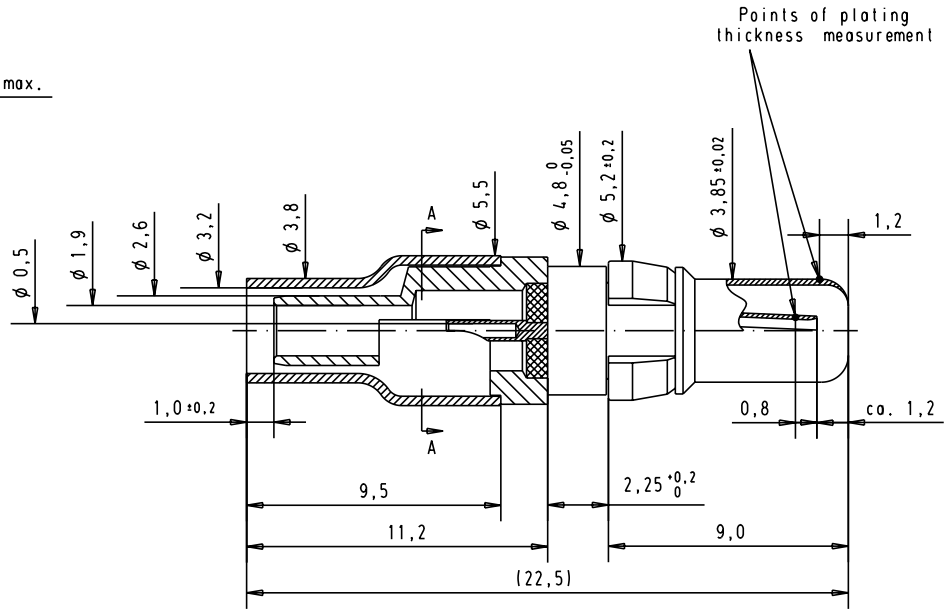
For any questions, you can email us directly:  
[sales@integrated-circuit.com](mailto:sales@integrated-circuit.com)

Alle Rechte vorbehalten/ All rights reserved

Harnessing dimensions for cables RG 179 BU, RG 187 AU, Belden 9221



A - A  
Solder pot position



Crimping tool of outer conductor:  
 hand tool: 09 99 000 0503 00  
 die: 09 99 000 0508 00

							Del.	None	 All Dim. in mm Orig. Size DIN A 4	Male coaxial contact, 75 Ohms, straight cable termination	Maßstab/ Scale 5:1
							Detail.	CV			
A	09692817230	Mating area	0,2 $\mu$ m Au	0,2 $\mu$ m Au			Insp.				
		Termination area	5 $\mu$ m Sn	0,2 $\mu$ m Au			Stand.				
	09692815230	Mating area	0,8 $\mu$ m Au	1,3 $\mu$ m Au			HARTING EURL F-95972 Paris			TB 09 69 281 x230	Blatt/ Page 1 / 1
		Termination area	0,2 $\mu$ m Au	1,3 $\mu$ m Au	31057	21-JUN-02					
Part number		Plating	outer conductor	inner conductor	Mod.	Del.	None			Sub.	