

Excellent Integrated System Limited

Stocking Distributor

Click to view price, real time Inventory, Delivery & Lifecycle Information:

[Harting](#)
[09692825420](#)

For any questions, you can email us directly:
sales@integrated-circuit.com

Alle Rechte vorbehalten/ All rights reserved

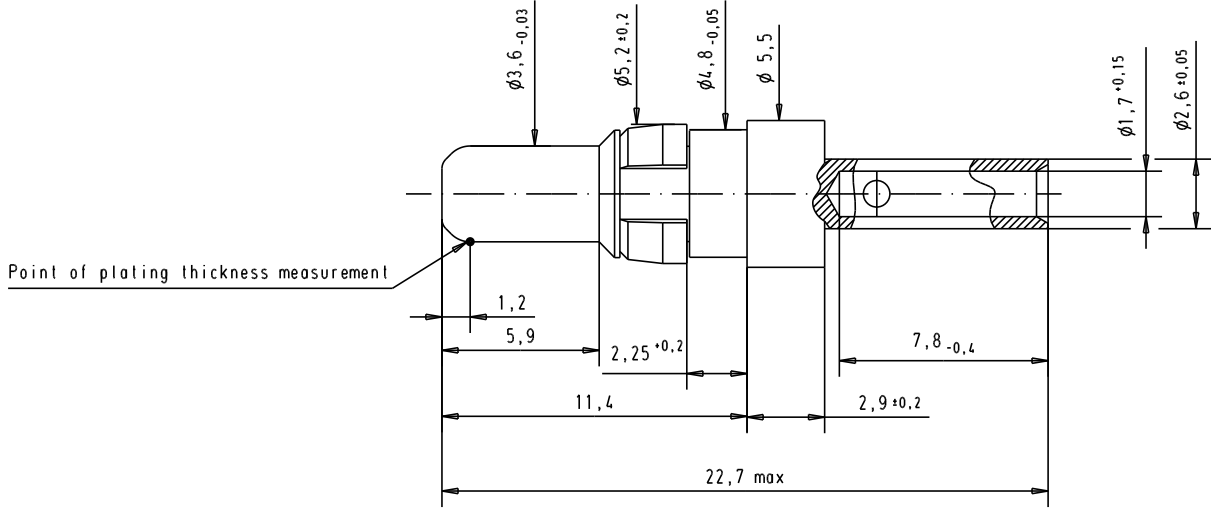
5

4



3

2

1



Crimping tool: 09 99 000 0509
 Positioner: 09 99 000 0504

A	09692827420	Mating area	0,2 $\mu\text{m Au}$							 Male High power contact, 10A, straight cable termination, crimp for AWG 16-20 All Dim. in mm Orig. Size DIN A 4	Maßstab/ Scale 5:1
		Termination area	0,2 $\mu\text{m Au}$								
	09692825420	Mating area	0,8 $\mu\text{m Au}$	32809	21/04/05	AL				 HARTING EURL F-95972 Paris	Blatt/ Page 1 / 1
		Termination area	0,2 $\mu\text{m Au}$	31887	14/04/04	JH					
Part number		Plating		Mod.	Del.	Name			Sub.		