

Excellent Integrated System Limited

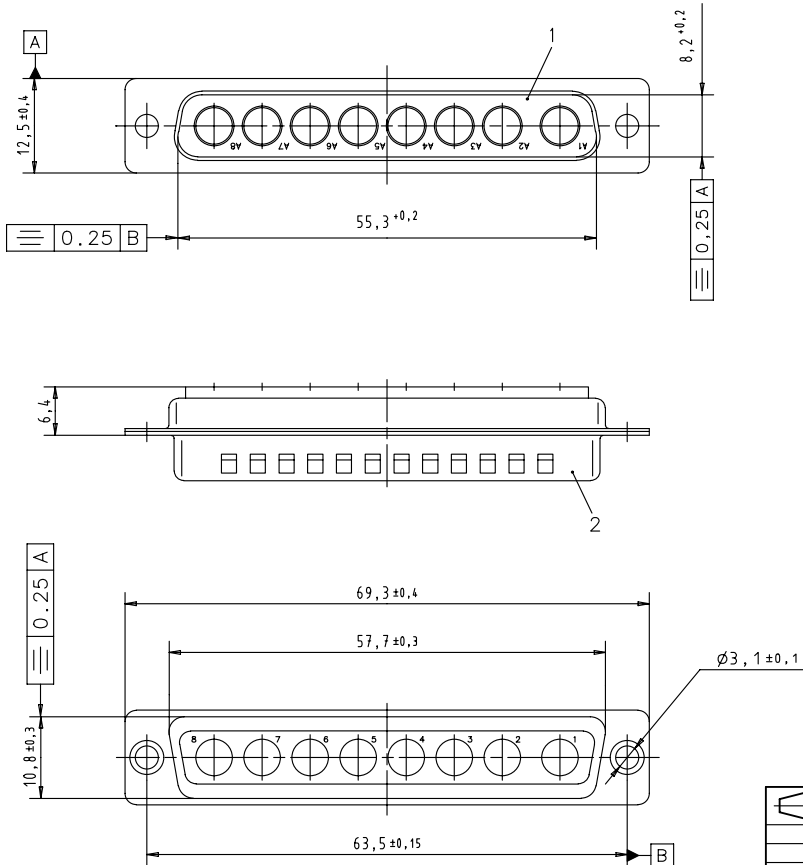
Stocking Distributor

Click to view price, real time Inventory, Delivery & Lifecycle Information:

[Harting](#)
[09694100088](#)

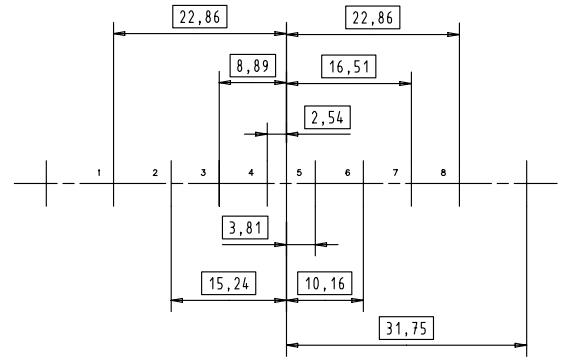
For any questions, you can email us directly:
sales@integrated-circuit.com

Alle Rechte vorbehalten. All rights reserved.



2- Shell
1- insulator

PCB hole pattern, mounting side



All Dimensions in mm Original Size DIN A 3		Nicht tol. Maße/ Free size tol.		2768-m	Ref. NB
		Oberfläche/ Surface qual.			Met.
		Oberflächenschutz/ Coating			
		V:	cm ²	A:	cm ²
		Detail.	17/11/00	AF	
		Insp.			
		Stand.			
				2/1	Male D-Sub mixed 8W8
27959	17/11/00	AF	HARTING F-95972 Paris		TB 09 69 410 0088
Mod.	Dat.	Name			Sub.