

Excellent Integrated System Limited

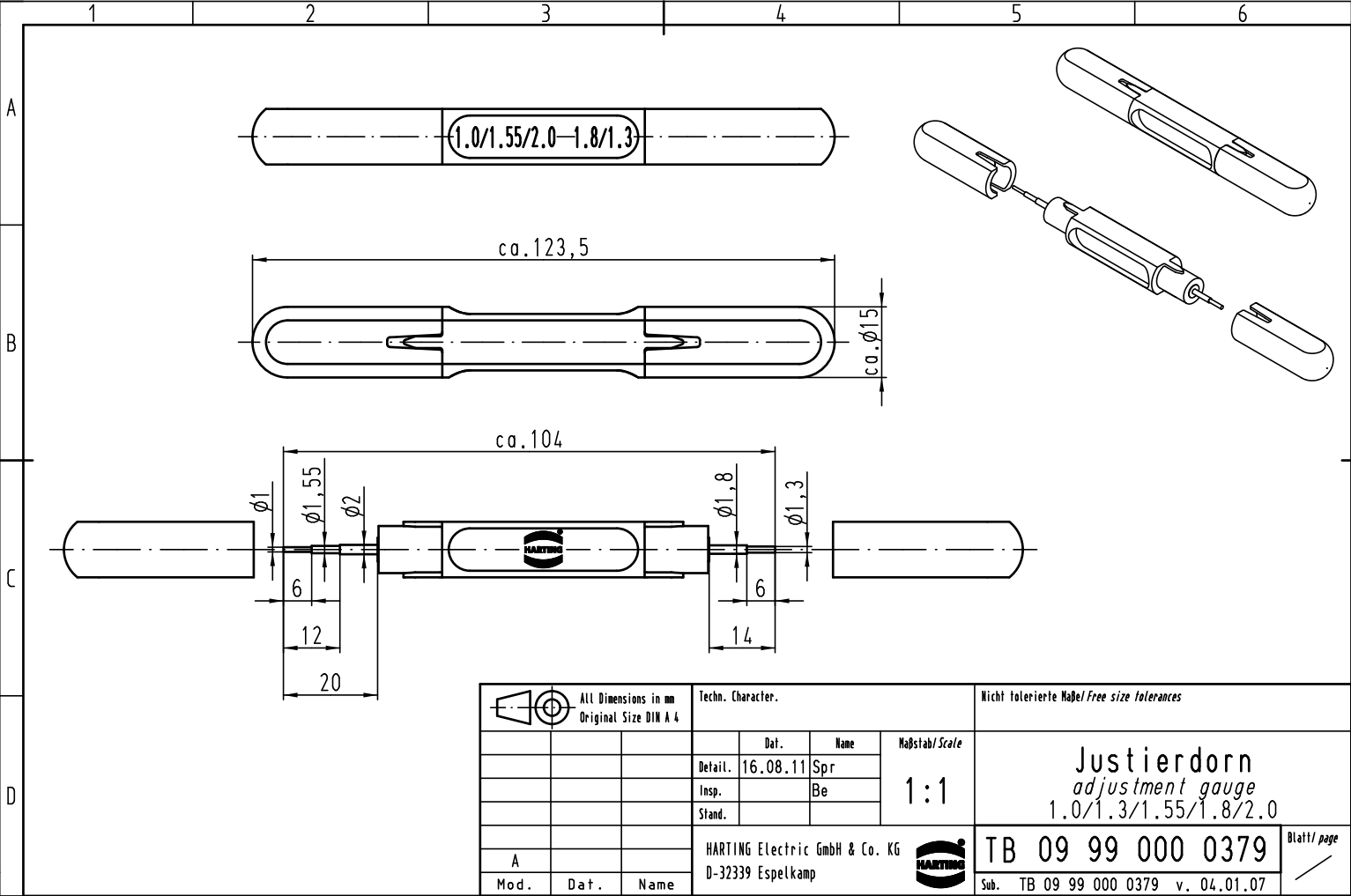
Stocking Distributor

Click to view price, real time Inventory, Delivery & Lifecycle Information:

[Harting](#)
[09990000379](#)

For any questions, you can email us directly:
sales@integrated-circuit.com

Alle Rechte vorbehalten/ All rights reserved



All Dimensions in mm Original Size DIN A 4			Techn. Character.			Nicht tolerierte Maß/Free size tolerances				
				Dat.	Name	Maßstab/Scale 1:1	Justierdorn <i>adjustment gauge</i> 1.0/1.3/1.55/1.8/2.0			
			Detail.	16.08.11	Spr					
			Insp.		Be					
			Stand.							
A			HARTING Electric GmbH & Co. KG D-32339 Espelkamp					TB 09 99 000 0379		Blatt/ page
Mod.	Dat.	Name				Sub. TB 09 99 000 0379 v. 04.01.07				