

Excellent Integrated System Limited

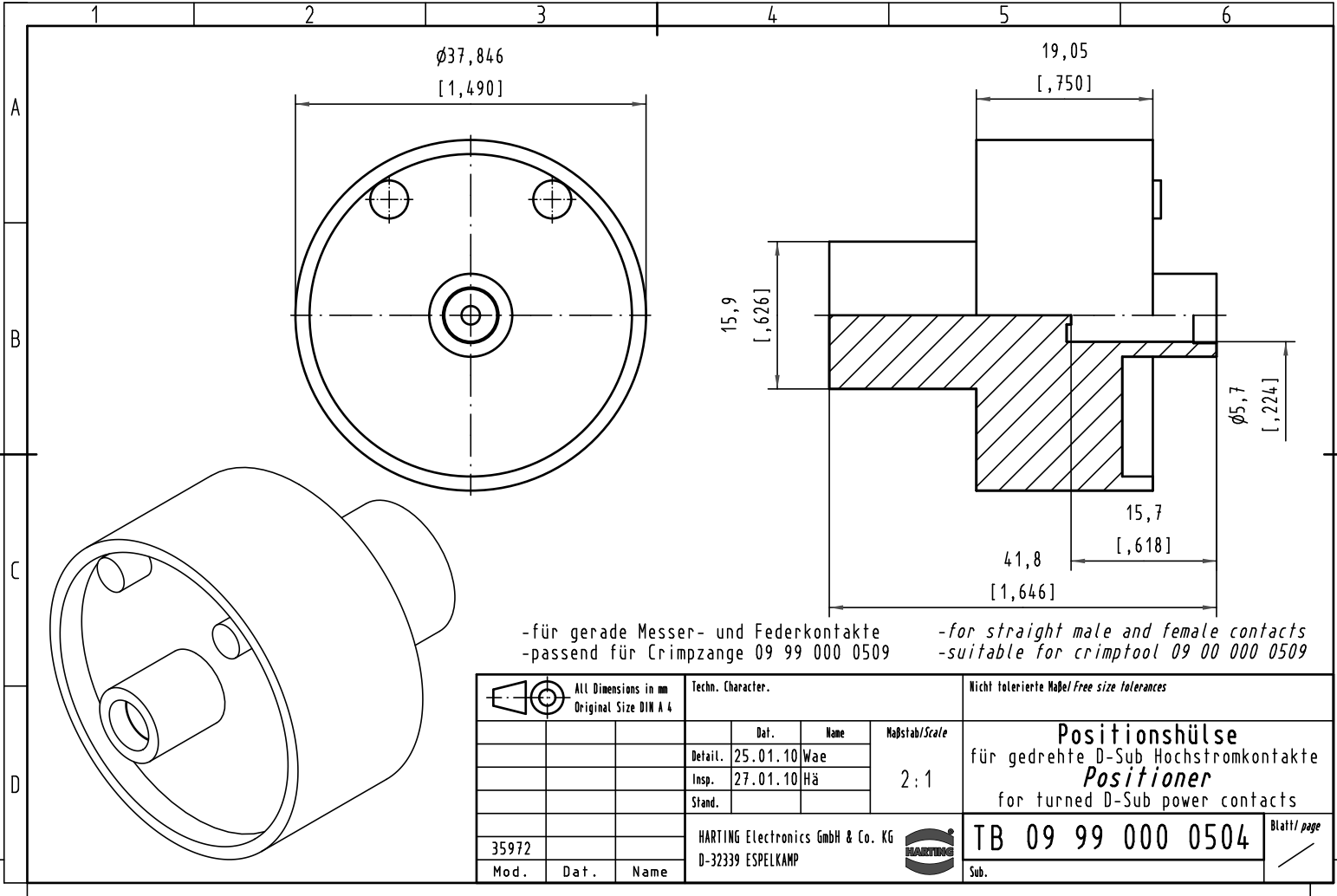
Stocking Distributor

Click to view price, real time Inventory, Delivery & Lifecycle Information:

[Harting](#)
[09990000504](#)



For any questions, you can email us directly:
sales@integrated-circuit.com

Alle Rechte vorbehalten/ All rights reserved



-für gerade Messer- und Federkontakte
-passend für Crimpzange 09 99 000 0509

-for straight male and female contacts
-suitable for crimp tool 09 00 000 0509

|  All Dimensions in mm Original Size DIN A 4 | | | Techn. Character. | | | Nicht tolerierte Maß/Free size tolerances | | |
|--|------|------|--|----------|-----|---|---|-------------|
| | | | | | | | | |
| | | | Detail. | 25.01.10 | Wae | Maßstab/Scale 2:1 | Positionshülse für gedrehte D-Sub Hochstromkontakte Positioner for turned D-Sub power contacts | |
| | | | Insp. | 27.01.10 | Hä | | | |
| | | | Stand. | | | | | |
| 35972 | | | HARTING Electronics GmbH & Co. KG D-32339 ESPELKAMP | | |  | TB 09 99 000 0504 | Blatt/ page |
| Mod. | Dat. | Name | | | | | Sub. | |