

## **Excellent Integrated System Limited**

Stocking Distributor

Click to view price, real time Inventory, Delivery & Lifecycle Information:

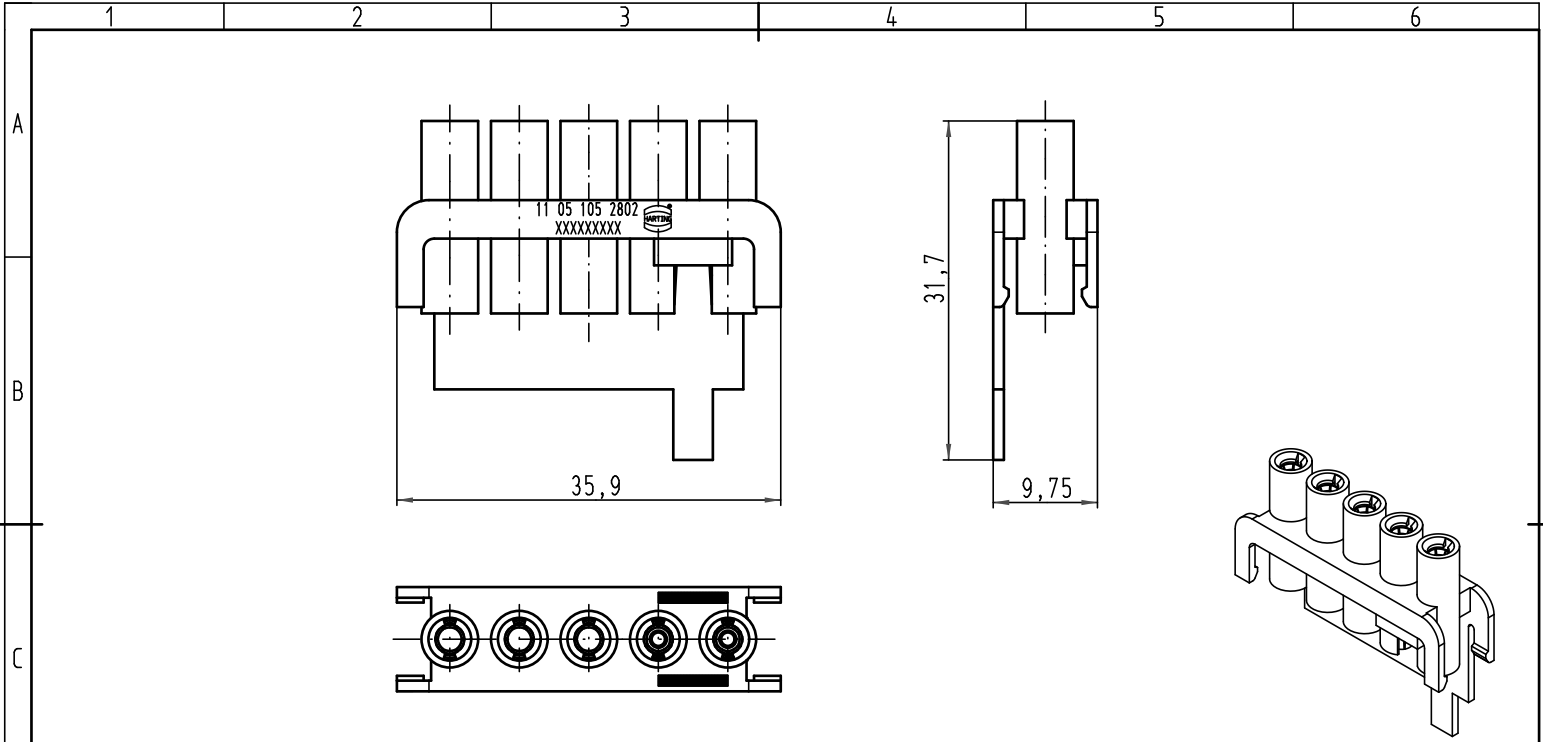
[Harting](#)



[11051052802](#)

For any questions, you can email us directly:

[sales@integrated-circuit.com](mailto:sales@integrated-circuit.com)

Alle Rechte vorbehalten/ All rights reserved



 All Dimensions in mm Original Size DIN A 4	Techn. Character.			Nicht tolerierte Maße/ Free size tolerances		
		Dat.	Name	Maßstab/Scale <b>2:1</b>	<b>Buchenträger 2 gebrückt</b> <b>female insert 2 bridged</b> Han-Yellock	
		Detail.	28.04.10			Ho
		Insp.				SP
	Stand.					
A	HARTING Electric GmbH & Co. KG			 <b>TB 11 05 105 2802</b>	Blatt/ page	
Mod.	Dat.	Name	D-32339 Espelkamp			Sub.