

## Excellent Integrated System Limited

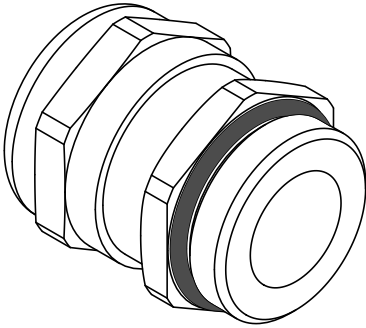
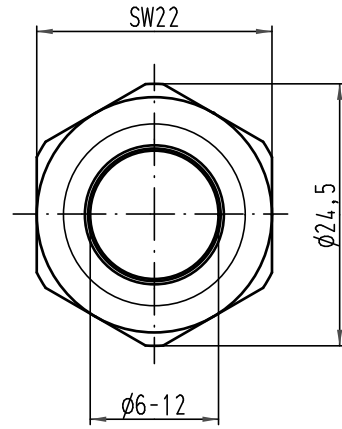
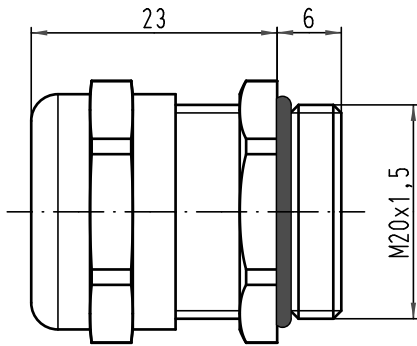
Stocking Distributor



Click to view price, real time Inventory, Delivery & Lifecycle Information:

[Harting](#)  
[19000005082](#)

For any questions, you can email us directly:  
[sales@integrated-circuit.com](mailto:sales@integrated-circuit.com)

Alle Rechte vorbehalten/ All rights reserved



|  |      |      |                                |          |     |   |   |             |
|--|------|------|--------------------------------|----------|-----|---|---|-------------|
|  All Dimensions in mm<br>Original Size DIN A 4 |      |      | Techn. Character.              |          |     | Nicht tolerierte Maß/Free size tolerances   |   |             |
|  |      |      | Detail.                        | 12.05.10 | Go  | Maßstab/Scale<br><b>2:1</b>   | <b>Kabelverschraubung Metall</b><br><b>M20x1,5</b><br><i>cabl e gland metal</i> |             |
|  |      |      | Insp.                          |          | Sch |   |   |             |
|  |      |      | Stand.                         |          |     |   |   |             |
| A  |      |      | HARTING Electric GmbH & Co. KG |          |     |  | <b>TB 19 00 000 5082</b>  | Blatt/ page |
| Mod.   | Dat. | Name | D-32339 Espelkamp              |          |     |   |   |             |