

Excellent Integrated System Limited

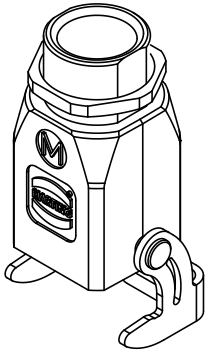
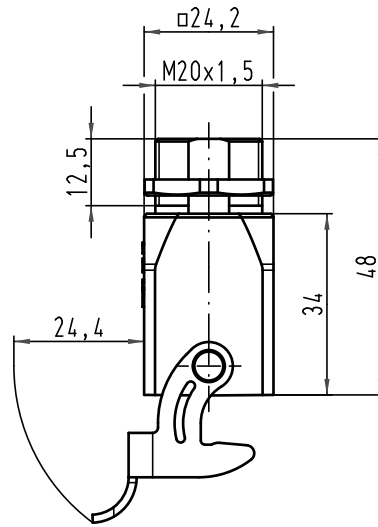
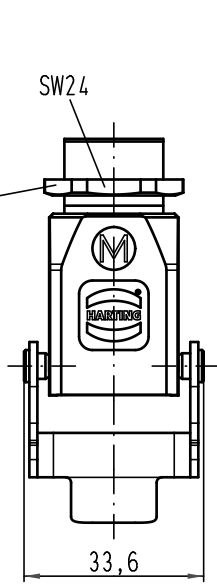
Stocking Distributor



Click to view price, real time Inventory, Delivery & Lifecycle Information:

[Harting](#)
[19200031150](#)

For any questions, you can email us directly:
sales@integrated-circuit.com

Kontermutter
lose beigelegt
locknut
separately enclosed



 All Dimensions in mm Original Size DIN A 4			Techn. Character.			Nicht tolerierte Maß/Free size tolerances	
			Detail.	28.03.11	Spr	Maßstab/Scale 1:1	Han 3A-eg-QB-M20 Einschraubgehäuse-Metall-grau housing screw mounting-metal-grey
			Insp.		Be		
			Stand.				
A			HARTING Electric GmbH & Co. KG				TB 19 20 003 1150 Sub. TB 19 20 003 1150 v. 08.03.01
Mod.	Dat.	Name	D-32339 Espelkamp				
							Blatt/ page