

Excellent Integrated System Limited

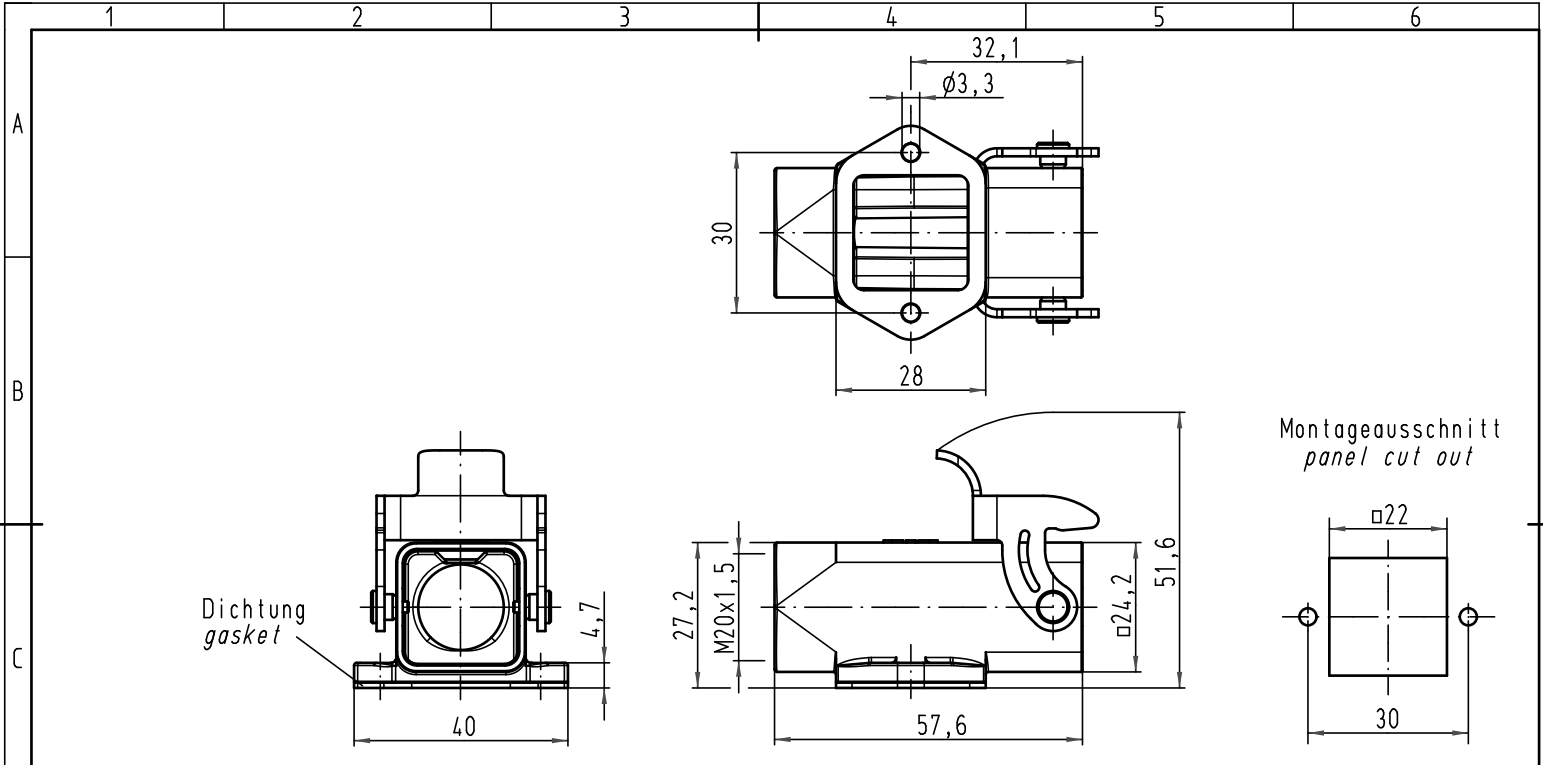
Stocking Distributor

Click to view price, real time Inventory, Delivery & Lifecycle Information:

[Harting](#)
[19200031250](#)

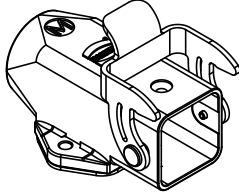
For any questions, you can email us directly:
sales@integrated-circuit.com

Alle Rechte vorbehalten/ All rights reserved



Dichtung
gasket

Montageausschnitt
panel cut out



All Dimensions in mm Original Size DIN A 4			Techn. Character.			Nicht tolerierte Maß/Free size tolerances	
			Detail.	Dat.	Name	Maßstab/Scale	Han 3A-asgw-QB-M20 Sockelgehäuse-Metall-grau housing surface mounting-metal-grey
	10.06.10	Ho	1:1	TB 19 20 003 1250 Sub. TB 09 20 003 1250 v. 16.11.00			
		Grie					
		Stand.					
A	HARTING Electric GmbH & Co. KG			Blatt/ page			
Mod.	Dat.	Name		D-32339 Espelkamp	Sub. TB 09 20 003 1250 v. 16.11.00		