

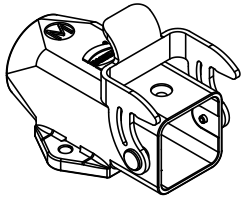
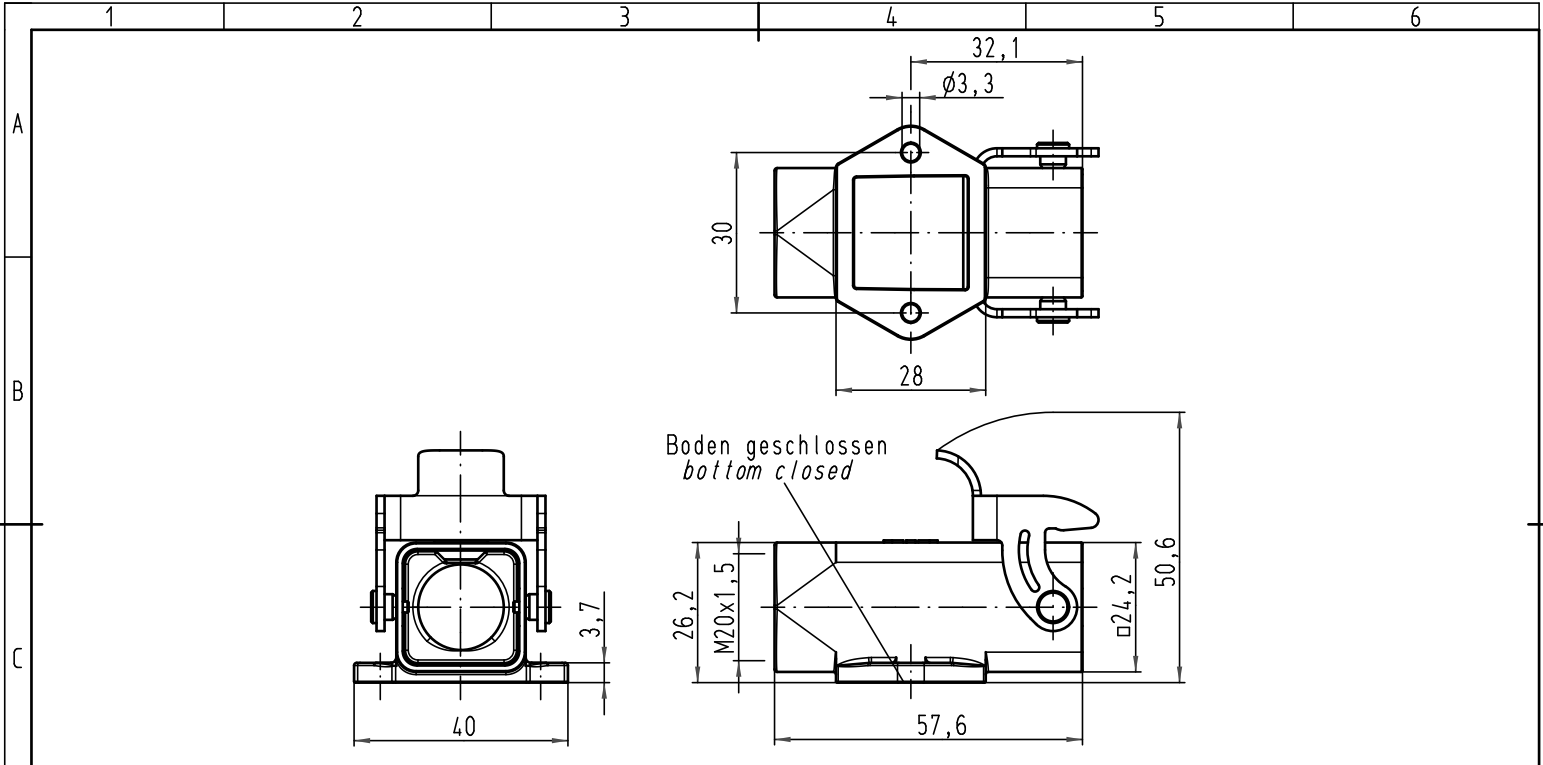
Excellent Integrated System Limited

Stocking Distributor

Click to view price, real time Inventory, Delivery & Lifecycle Information:

[Harting](#)
[19200031252](#)

For any questions, you can email us directly:
sales@integrated-circuit.com



All Dimensions in mm Original Size DIN A 4			Techn. Character.			Nicht tolerierte Maß/Free size tolerances			
						Han 3A-asgw-QB-M20 Sockelgehäuse-Metall-grau housing surface mounting-metal-grey			
			Detail.	10.06.10	Ho				Maßstab/Scale 1:1
			Insp.		Grie				
			Stand.						
A			HARTING Electric GmbH & Co. KG			TB 19 20 003 1252			
Mod.	Dat.	Name	D-32339 Espelkamp						Sub. TB 19 20 003 1252 v. 28.08.02

Blatt/ page