

Excellent Integrated System Limited

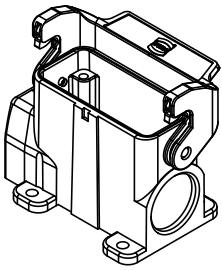
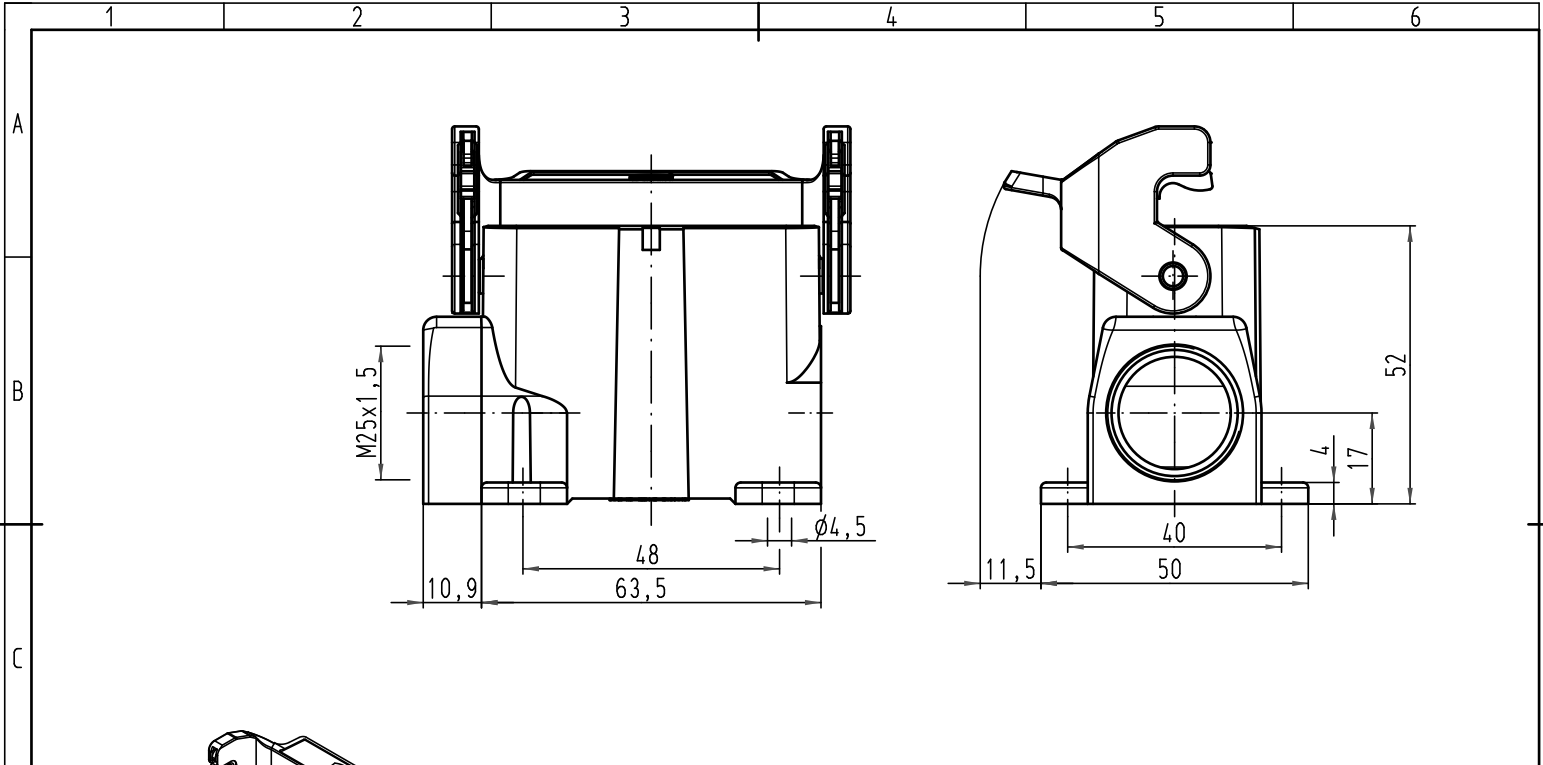
Stocking Distributor



Click to view price, real time Inventory, Delivery & Lifecycle Information:

[Harting](#)
[19200100251](#)

For any questions, you can email us directly:
sales@integrated-circuit.com

Alle Rechte vorbehalten/ All rights reserved



 All Dimensions in mm Original Size DIN A 4			Techn. Character.			Nicht tolerierte Maß/Free size tolerances		
			Detail.	13.04.10	Ho	Maßstab/Scale 1:1	Han 10A-asg1-LB-M25 Socketgehäuse housing surface mounting	
			Insp.		Be			
			Stand.					
A			HARTING Electric GmbH & Co. KG				TB 19 20 010 0251	
Mod.	Dat.	Name	D-32339 Espelkamp				Sub. TB 19 20 010 0251 v. 16.11.00	
							Blatt/ page	