

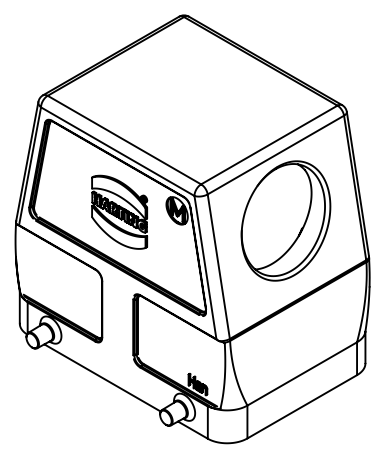
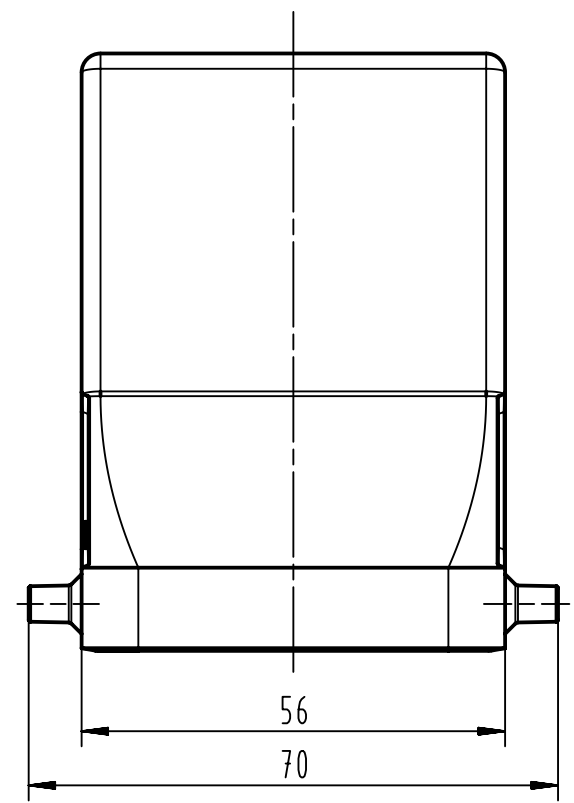
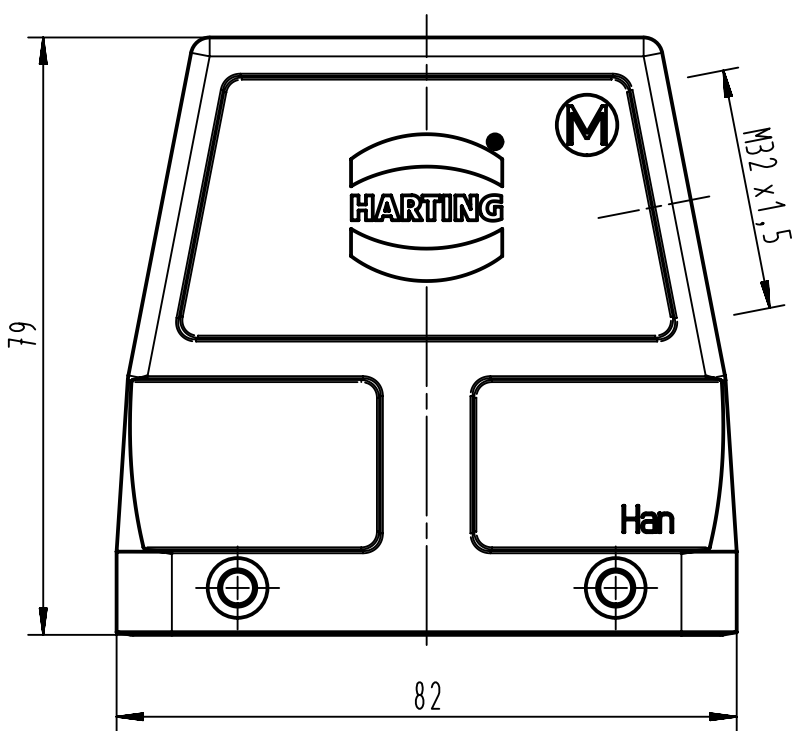
1 2 3 4 5 6

A

B

C

D



| | | | | | | |
|---|--|--|--|---------------------------|-----------------------------|--|
| | All Dimensions in mm Original Size DIN A4 | | Scale 1:1 | Free size tol. | | Ref. |
| | | | | | | Sub. |
| | All rights reserved | | Created by HOLLERT | Inspected by SCHNIEDER | Standardisation TIEMANNA | Date 2012-12-13 |
| | Department EL PD - DE | | Title Han A Top Side Entry M32 4 Pegs | | | State Final Release |
| HARTING Electric GmbH & Co. KG D-32339 Espelkamp | | | Type TB | Number 19 20 032 0527 | | Doc-Key / ECM-Nr. 100110988/UGD/007/A |
| | | | | | Rev. A | Page 1/1 |