

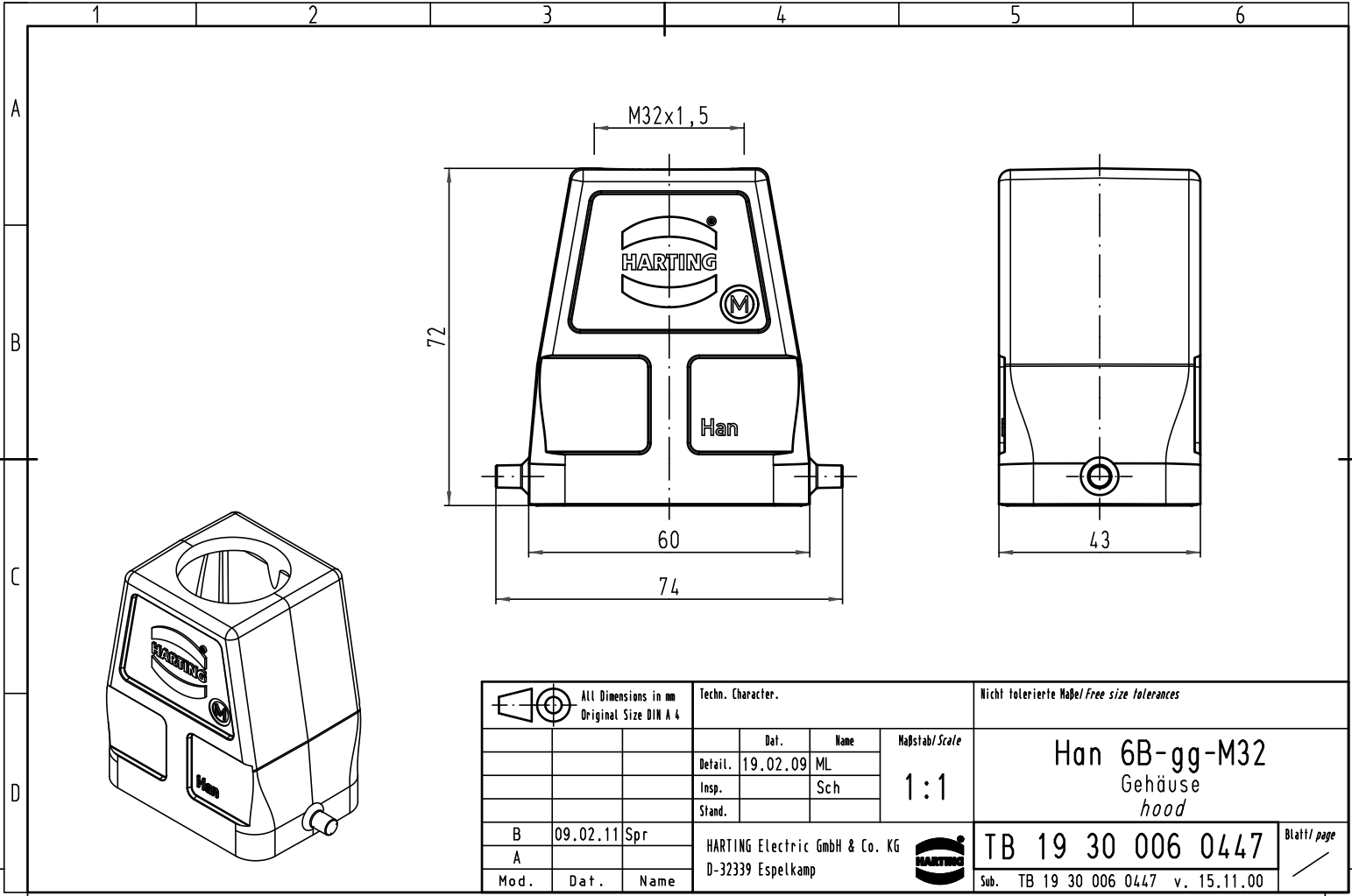
## Excellent Integrated System Limited



Stocking Distributor

Click to view price, real time Inventory, Delivery & Lifecycle Information:

[Harting](#)  
[19300060447](#)

For any questions, you can email us directly:  
[sales@integrated-circuit.com](mailto:sales@integrated-circuit.com)



 All Dimensions in mm Original Size DIN A 4			Techn. Character.			Nicht tolerierte Maß/Free size tolerances			
				Dat.	Name	Maßstab/Scale	<b>Han 6B-gg-M32</b> Gehäuse hood		
			Detail.	19.02.09	ML				1:1
			Insp.		Sch				
			Stand.						
B	09.02.11	Spr	HARTING Electric GmbH & Co. KG				<b>TB 19 30 006 0447</b>		
A			D-32339 Espelkamp						
Mod.	Dat.	Name					Blatt/ page Sub. TB 19 30 006 0447 v. 15.11.00		