

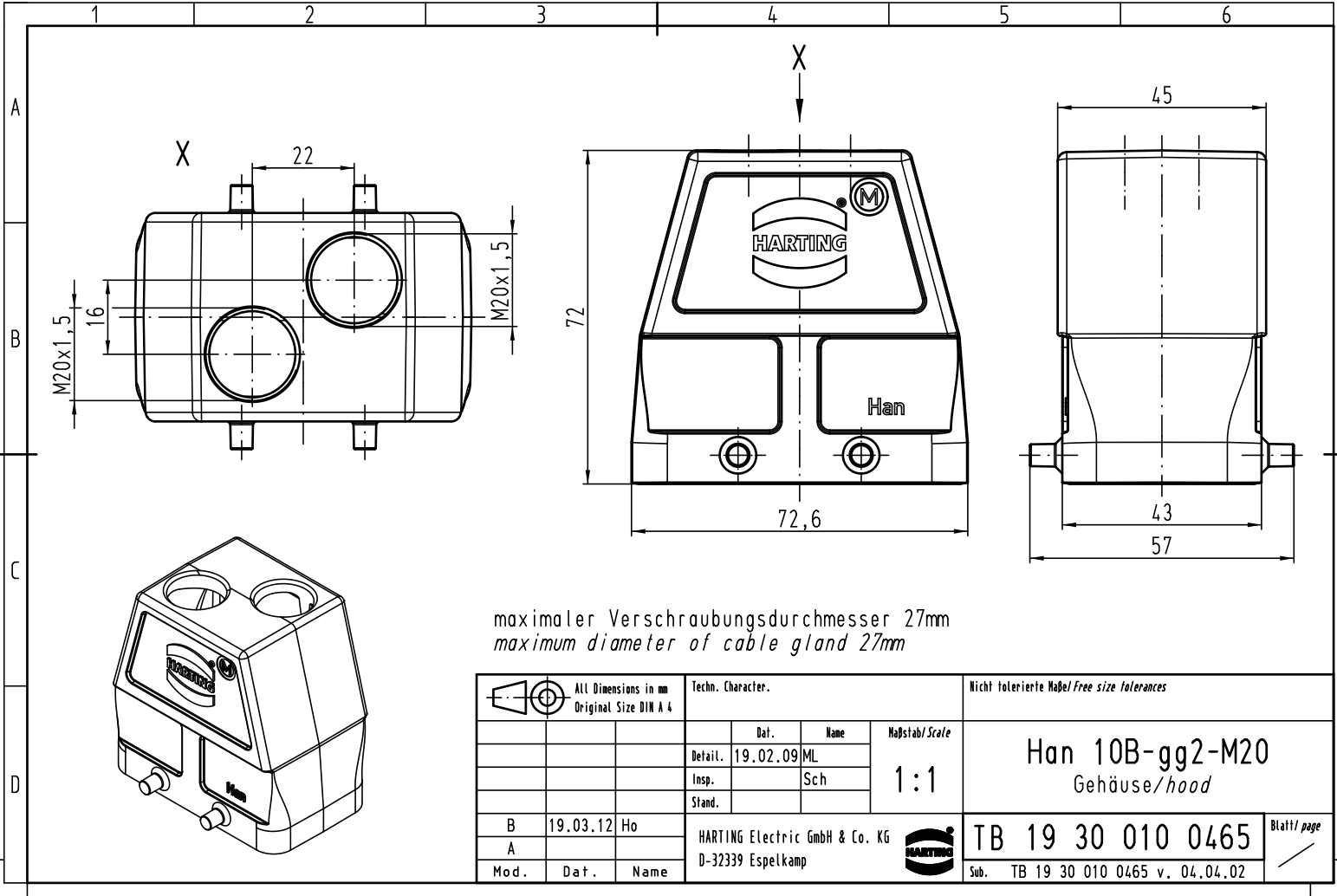
## Excellent Integrated System Limited

Stocking Distributor

Click to view price, real time Inventory, Delivery & Lifecycle Information:

[Harting](#)  
[19300100465](#)

For any questions, you can email us directly:  
[sales@integrated-circuit.com](mailto:sales@integrated-circuit.com)



maximaler Verschraubungsdurchmesser 27mm  
maximum diameter of cable gland 27mm

|   |          |      |                                |          |      |   |  |  |             |
|---|----------|------|--------------------------------|----------|------|---|--|--|-------------|
| All Dimensions in mm<br>Original Size DIN A 4 |          |      | Techn. Character.              |          |      | Nicht tolerierte Maß/Free size tolerances |  |  |             |
|   |          |      |                                | Dat.     | Name | Maßstab/Scale                             | <b>Han 10B-gg2-M20</b><br>Gehäuse/hood |  |             |
|   |          |      | Detail.                        | 19.02.09 | ML   |   |  |  |             |
|   |          |      | Insp.                          |          | Sch  |   |  |  |             |
|   |          |      | Stand.                         |          |      | 1:1                                       |  |  |             |
| B   | 19.03.12 | Ho   | HARTING Electric GmbH & Co. KG |          |      |   | <b>TB 19 30 010 0465</b>               |  | Blatt/ page |
| A   |          |      | D-32339 Espelkamp              |          |      |   | Sub. TB 19 30 010 0465 v. 04.04.02     |  |             |
| Mod.  | Dat.     | Name |                                |          |      |   |  |  |             |