

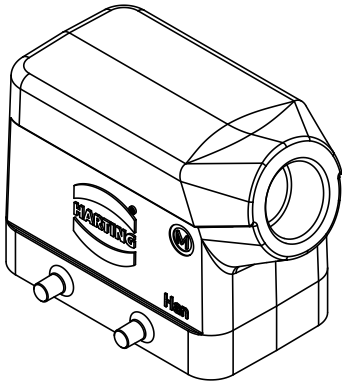
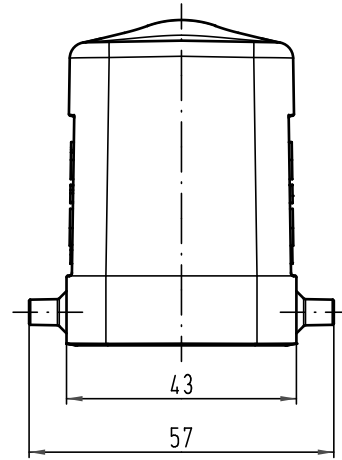
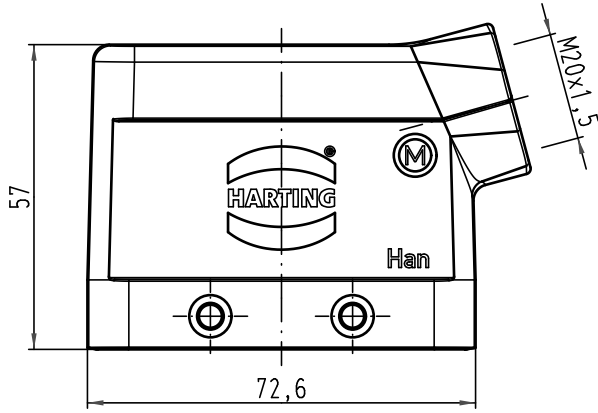
Excellent Integrated System Limited

Stocking Distributor

Click to view price, real time Inventory, Delivery & Lifecycle Information:

[Harting](#)
[19300101520](#)

For any questions, you can email us directly:
sales@integrated-circuit.com



All Dimensions in mm Original Size DIN A 4			Techn. Character.			Nicht tolerierte Maß/Free size tolerances	
						1:1	Han 10B-gs-M20 Tüllengehäuse hood
			Detail.	27.04.09	ML		
			Insp.		Sch		
			Stand.				
B	03.01.11	Spr	HARTING Electric GmbH & Co. KG			TB 19 30 010 1520	Blatt/ page
A			D-32339 Espelkamp				
Mod.	Dat.	Name				Sub.	TB 19 30 010 1520 v. 15.11.00